

**NINCO** **TECNIC**

**SIX TRUCK**

**MANUAL**

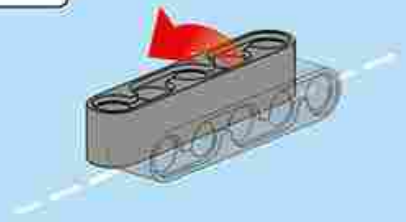
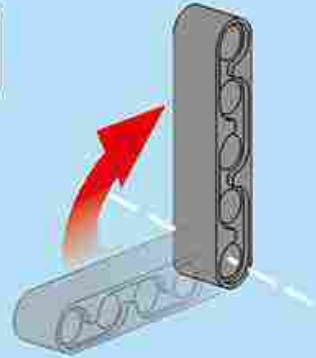
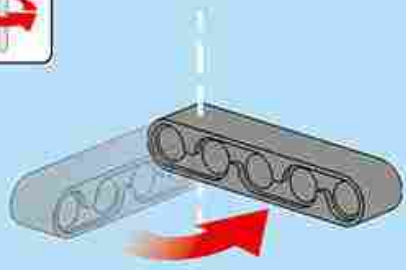
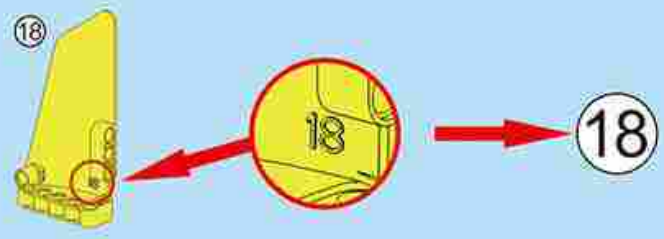
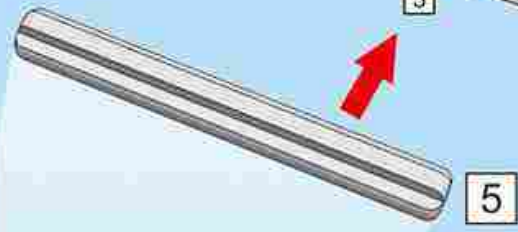
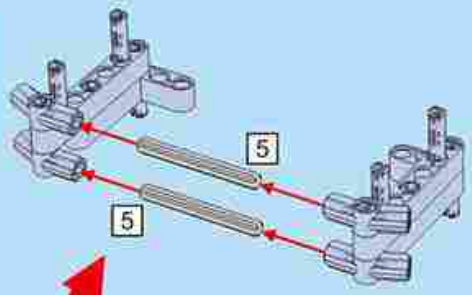
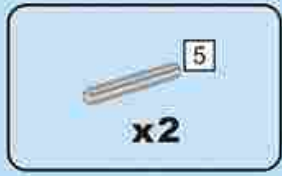
**BUILDING BLOCKS**

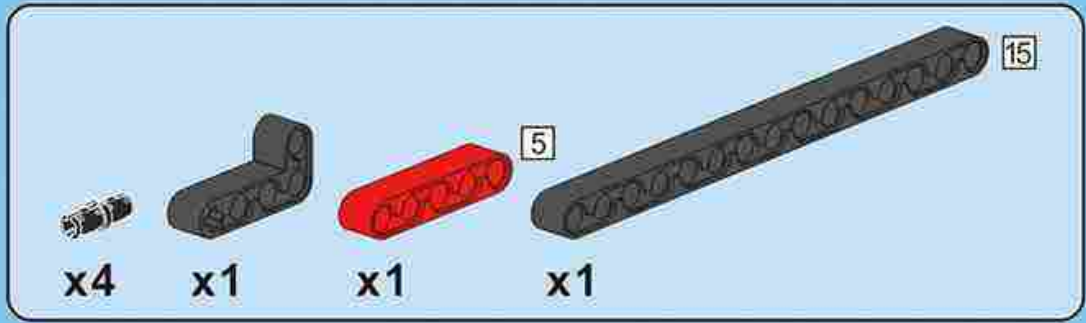
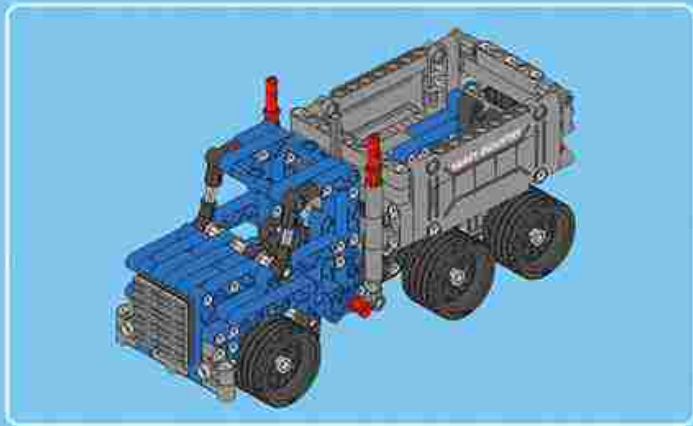


Age

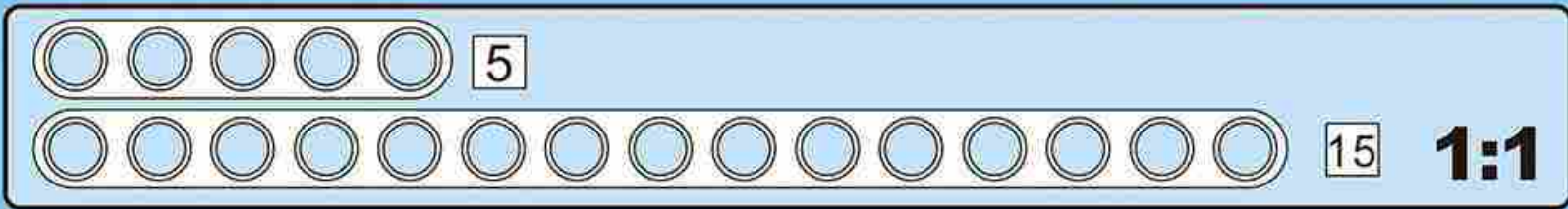
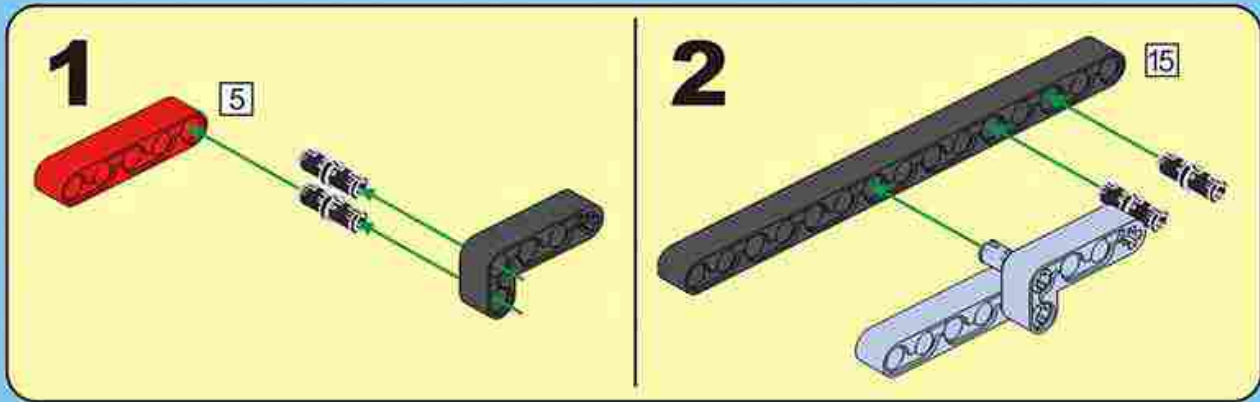
**6+**

**301 Pcs**

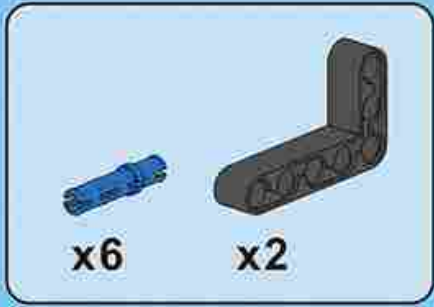




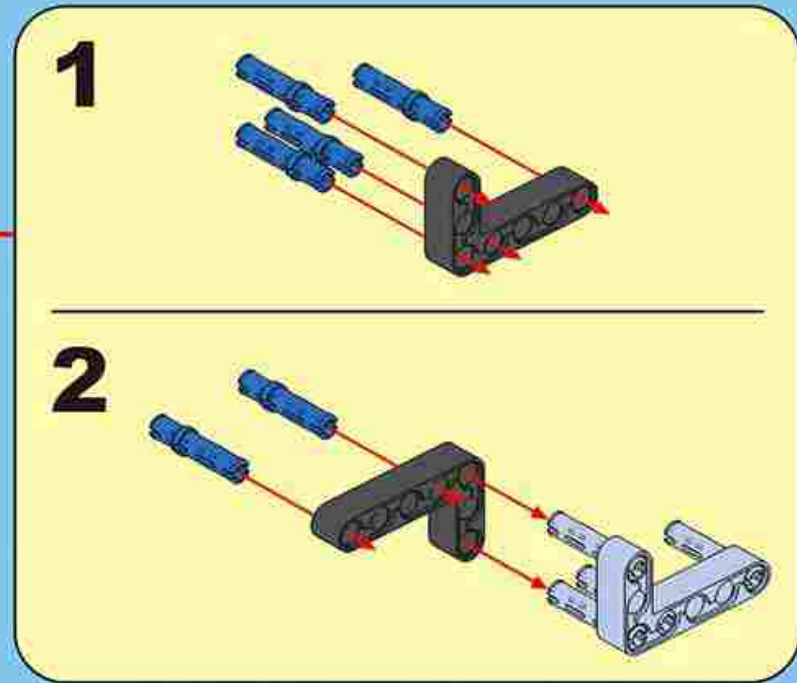
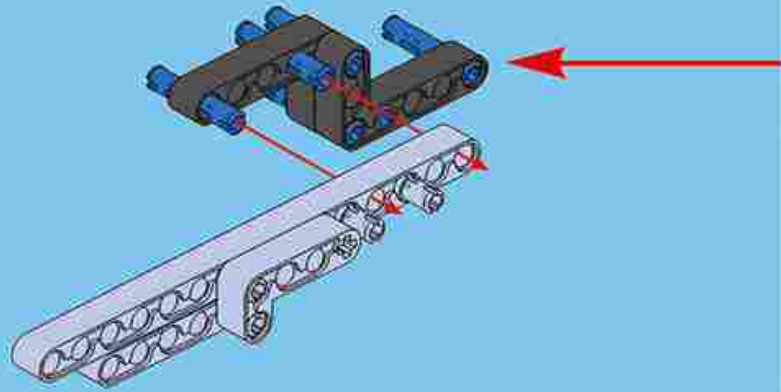
# A1

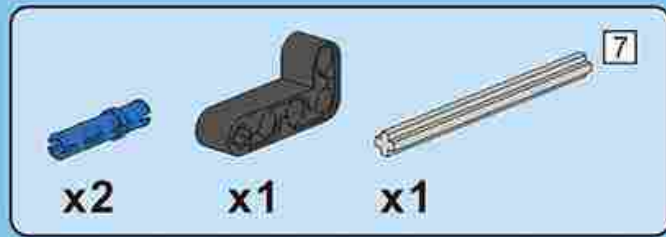




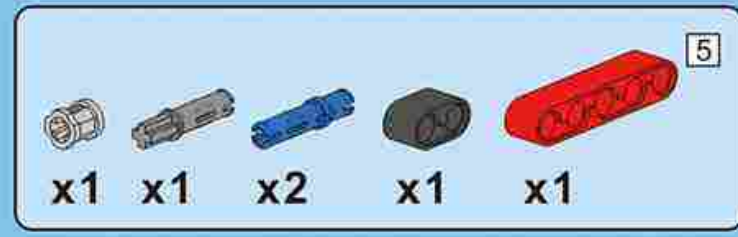
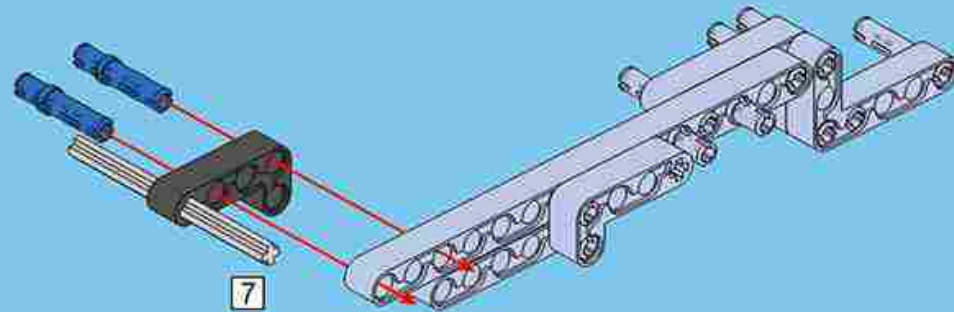


# A2

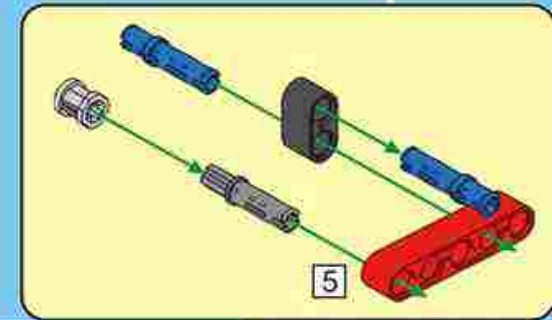
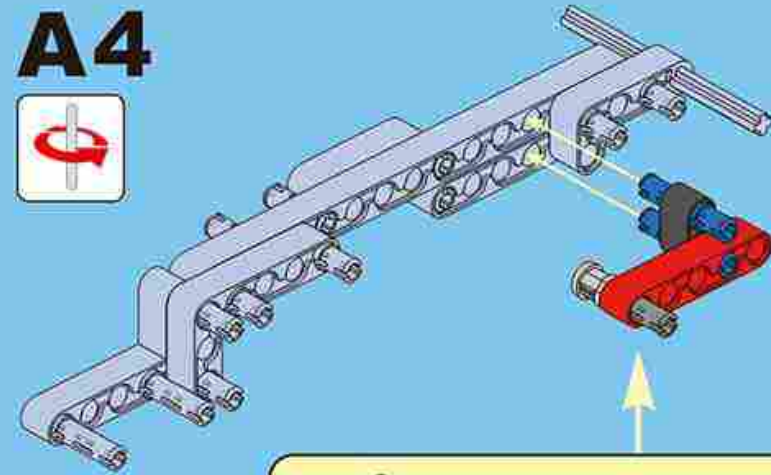


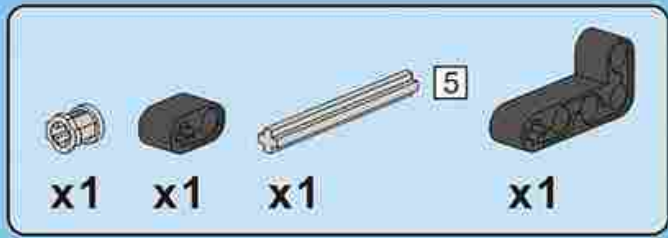


**A3**

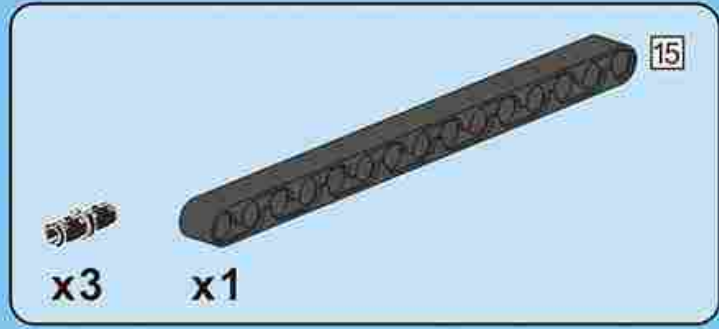
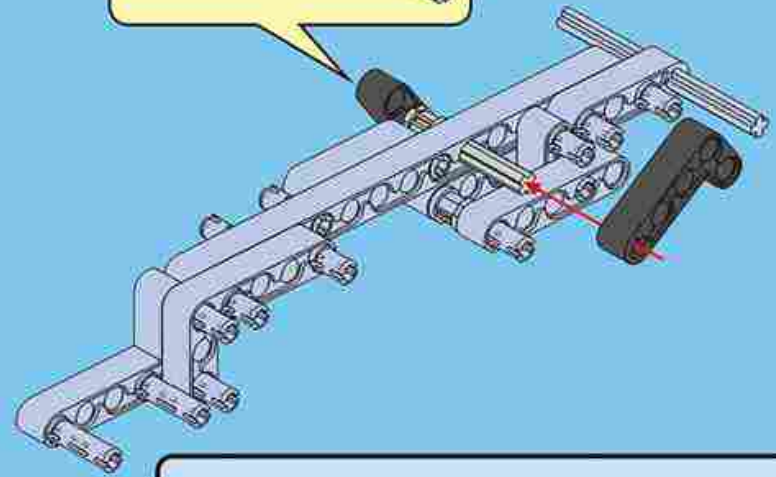
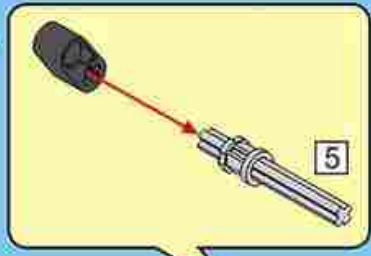


**A4**

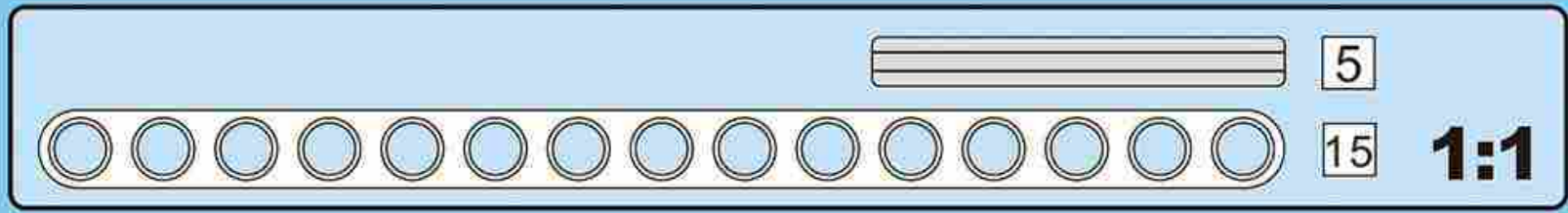
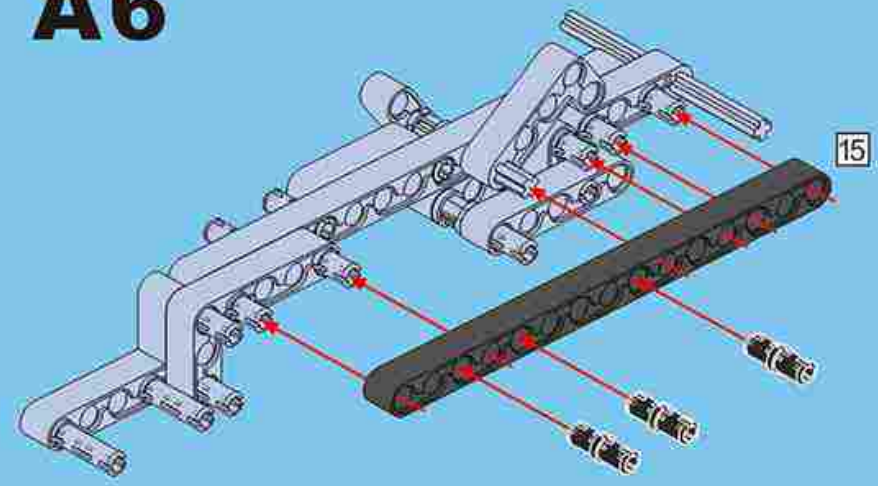


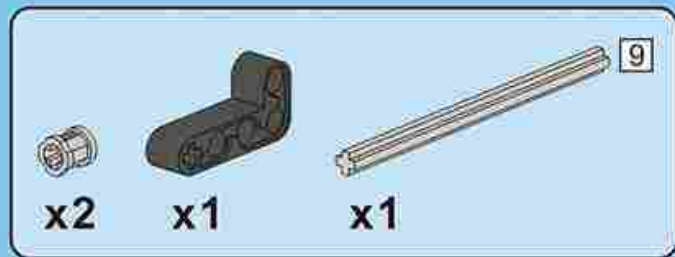


**A5**

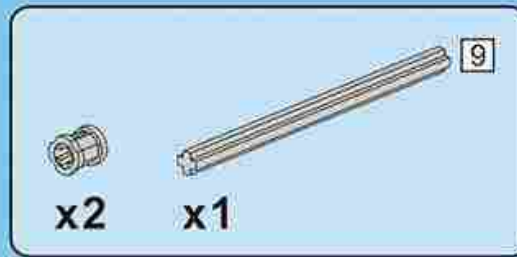
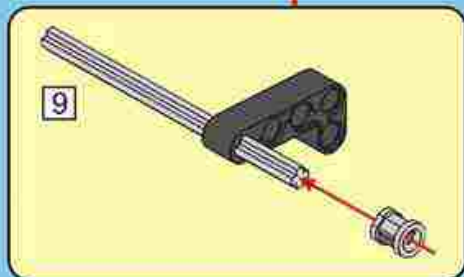
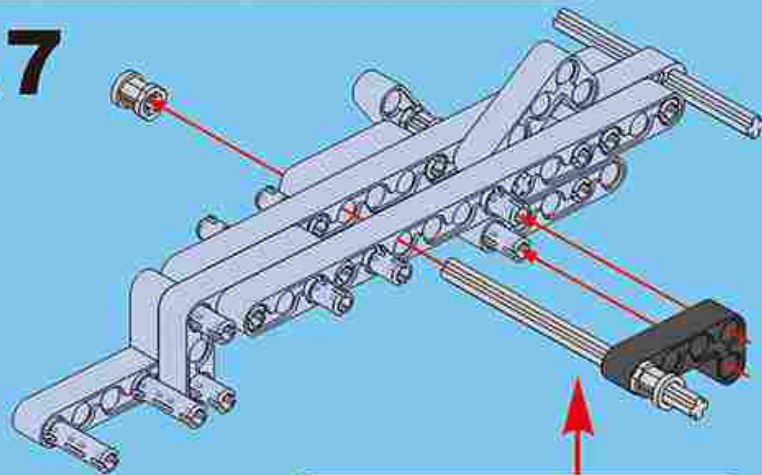


**A6**

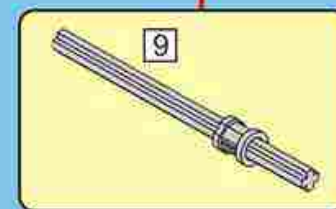
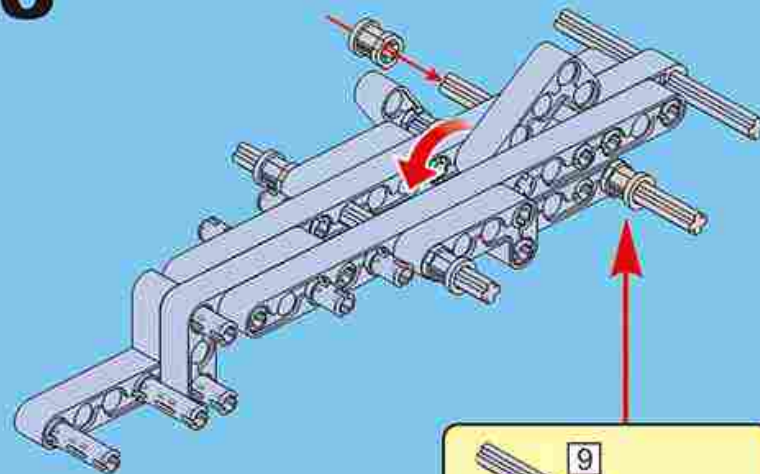




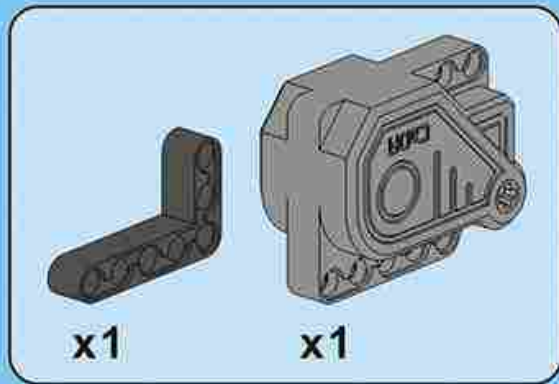
**A7**



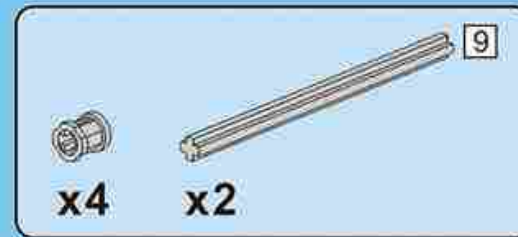
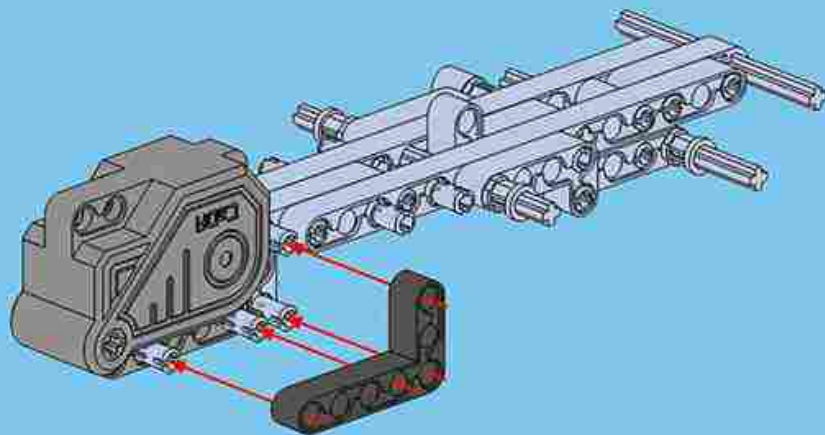
**A8**



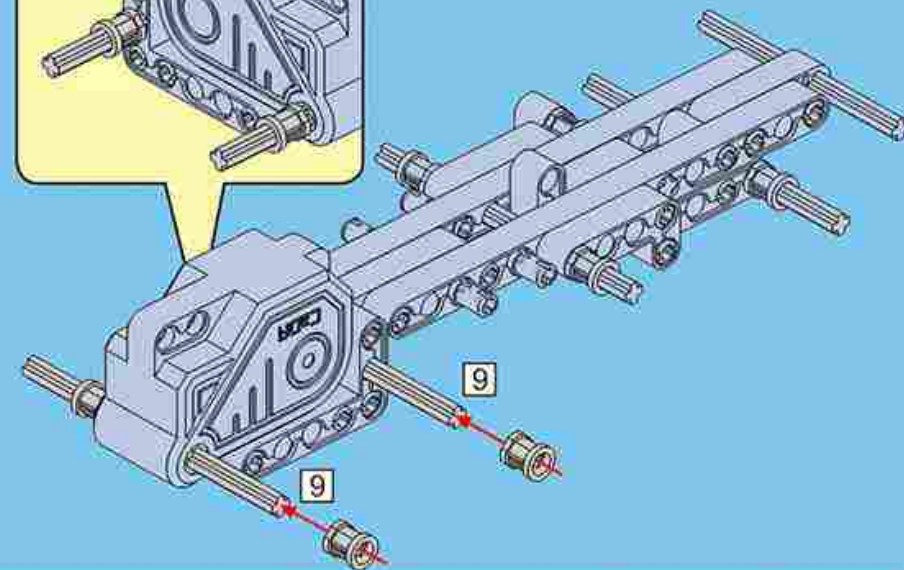
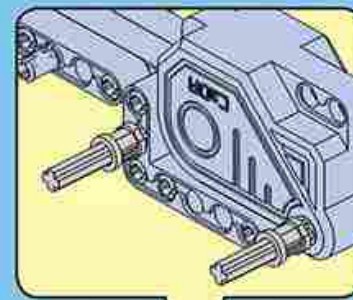
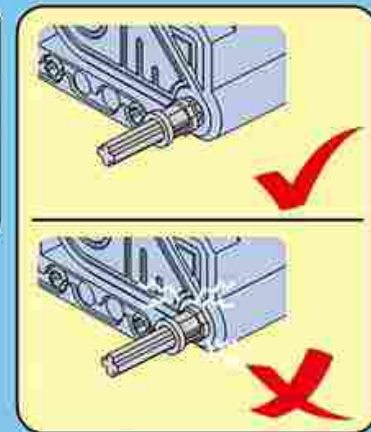




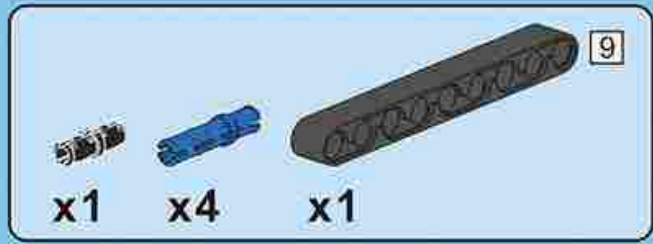
# A9



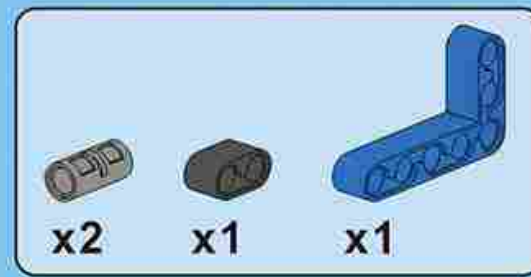
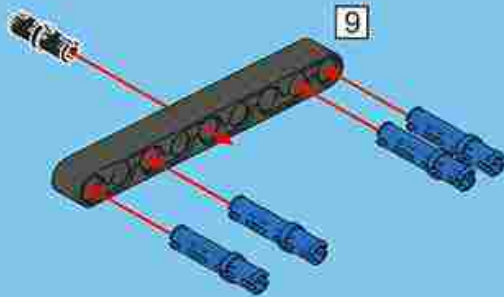
# A10



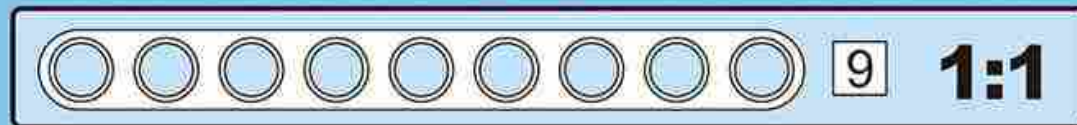
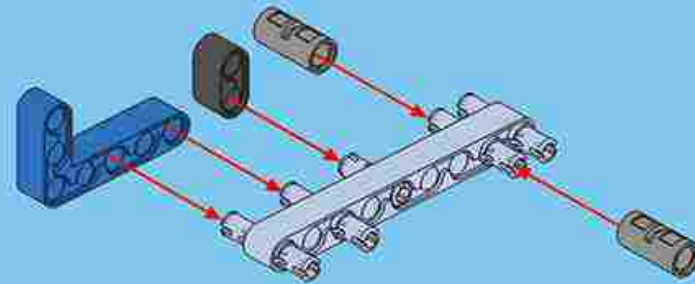


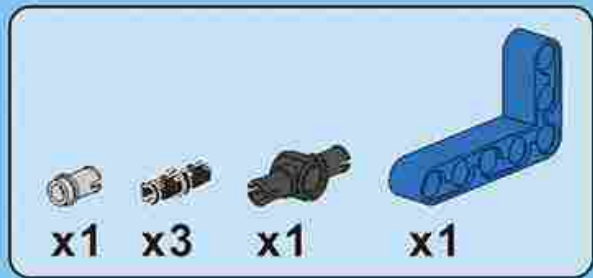


**A11**

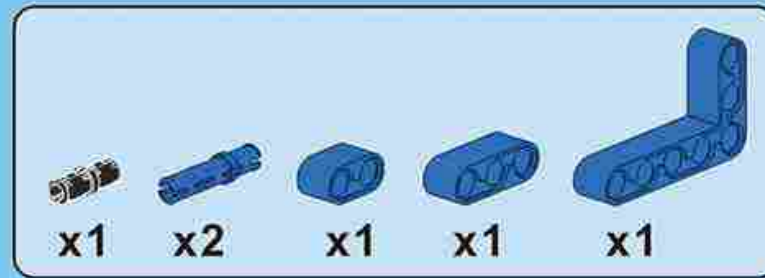
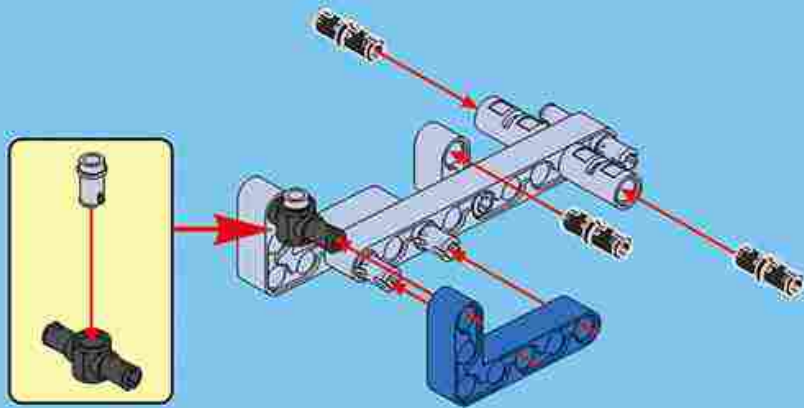


**A12**

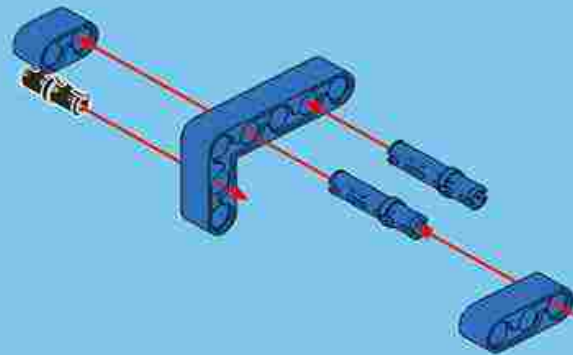




# A13

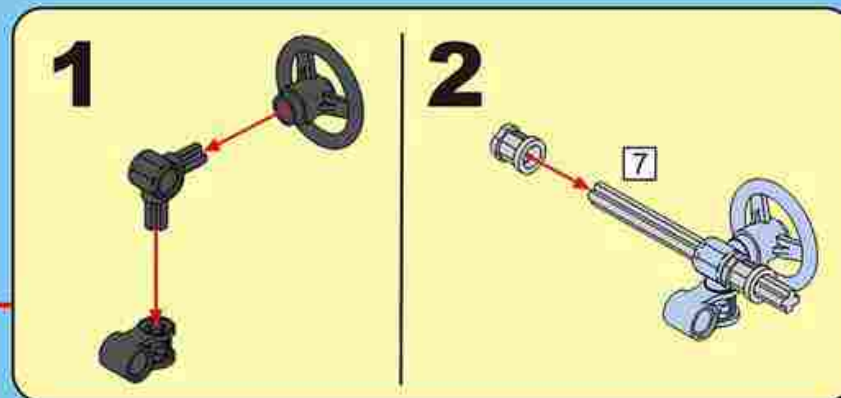
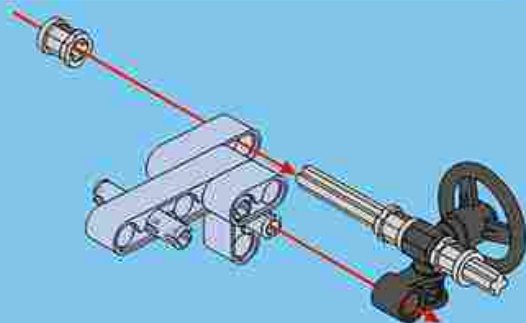


# A14

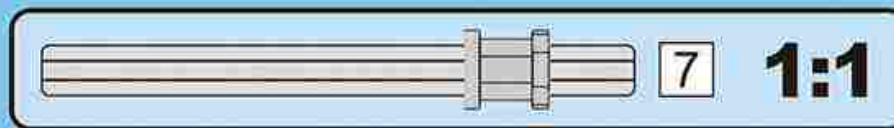
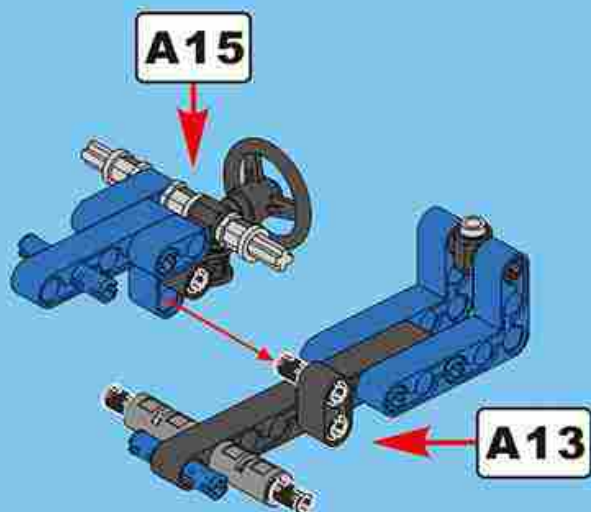




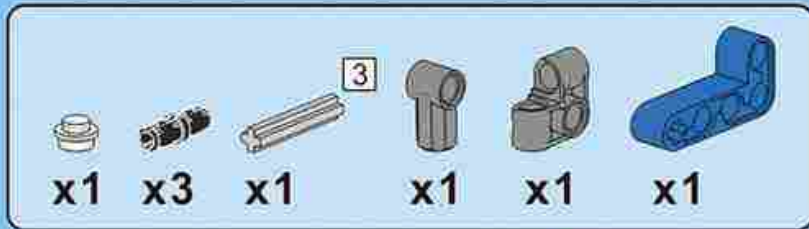
**A15**



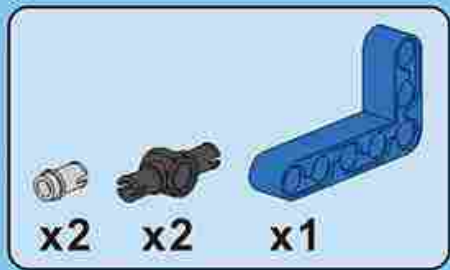
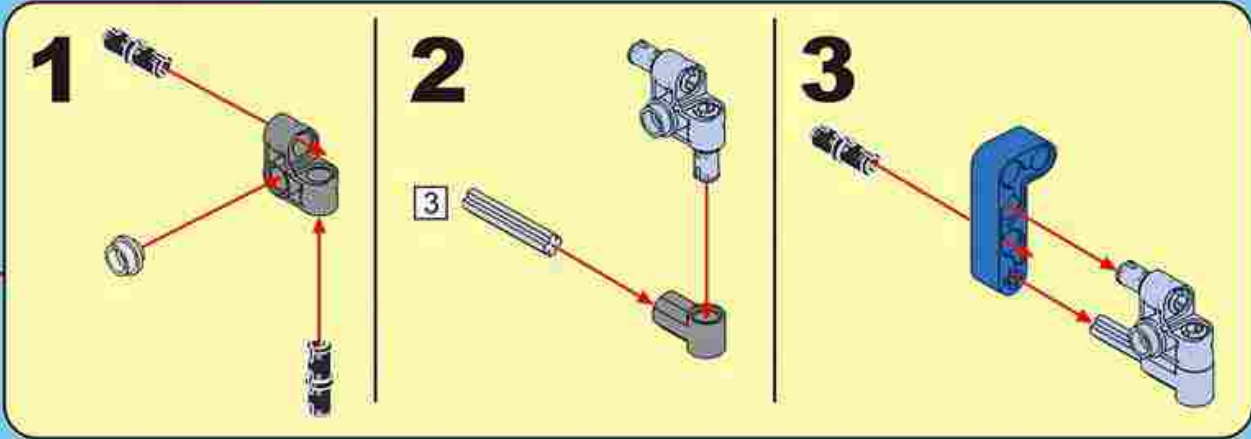
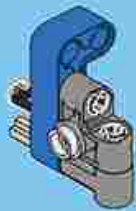
**A16**



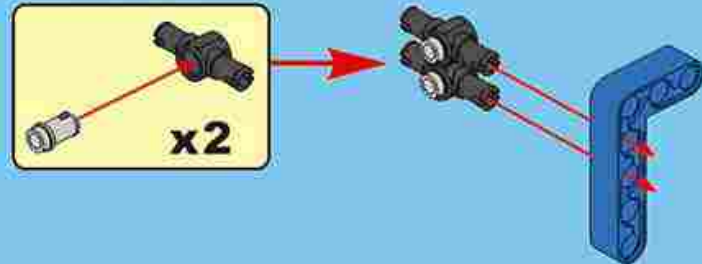




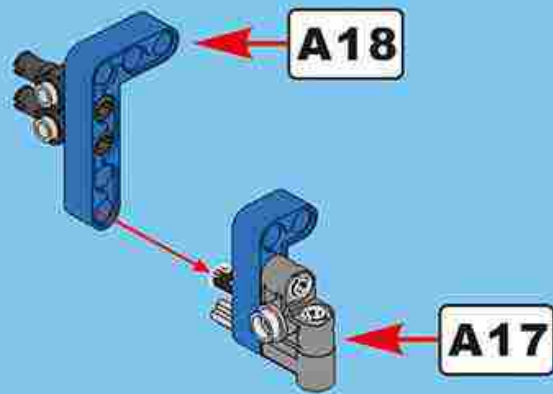
# A17



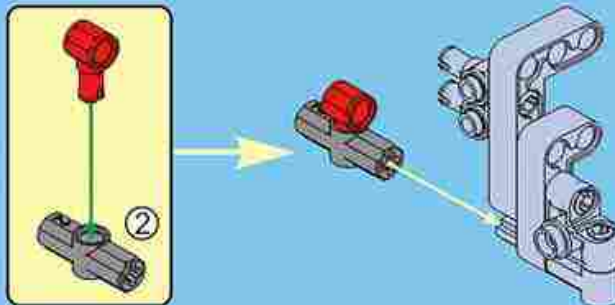
# A18



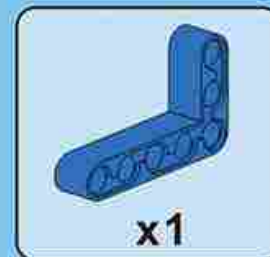
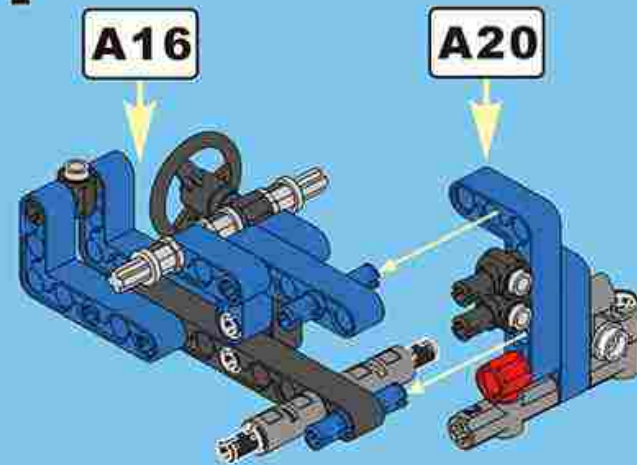
# A19



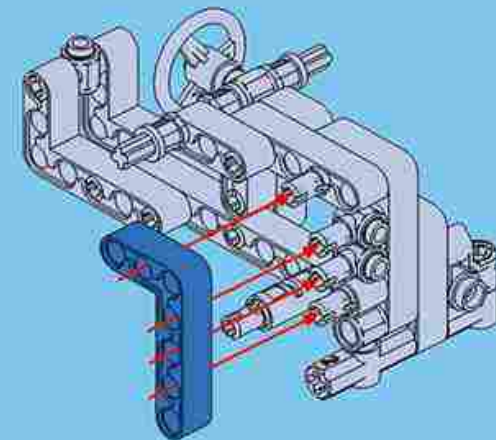
# A20

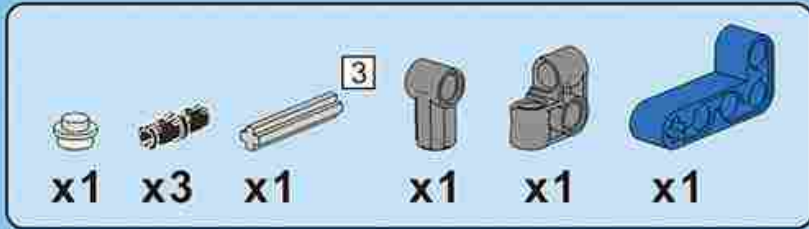


# A21

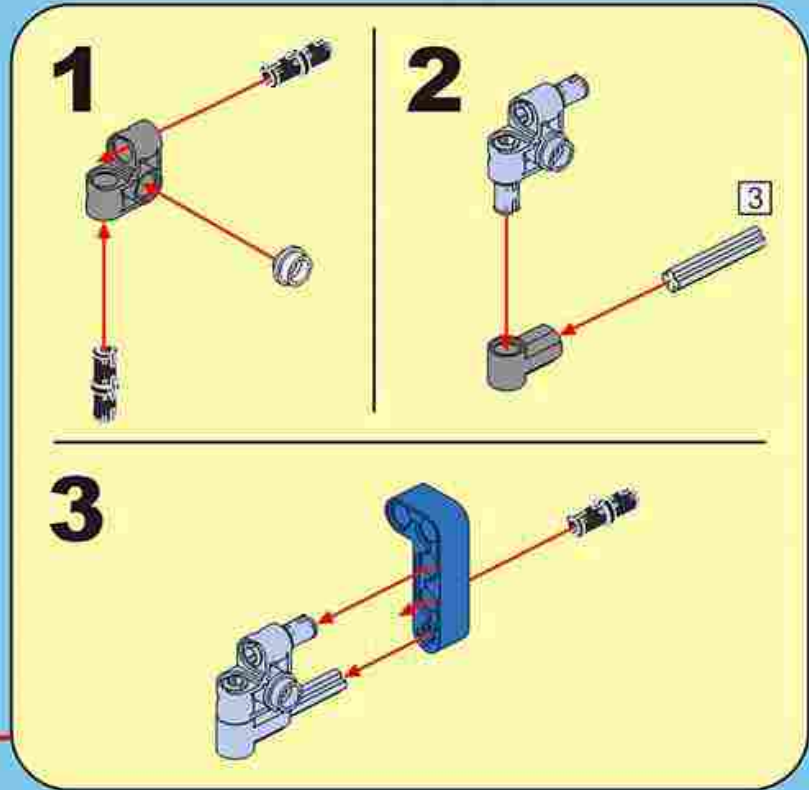
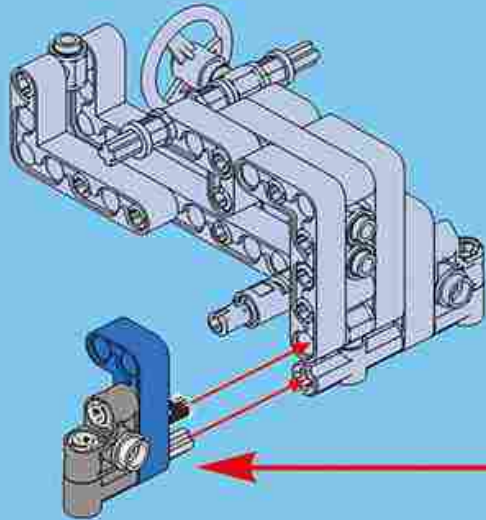


# A22

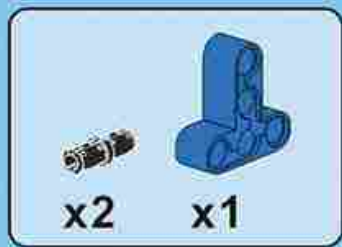




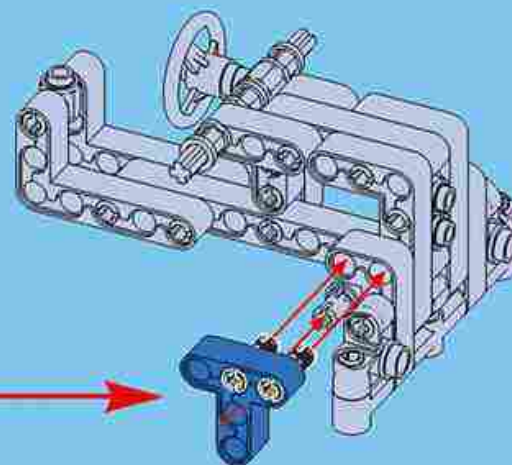
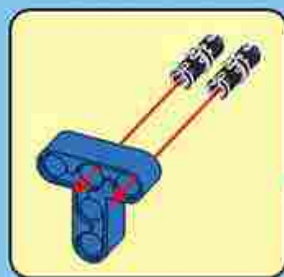
# A23

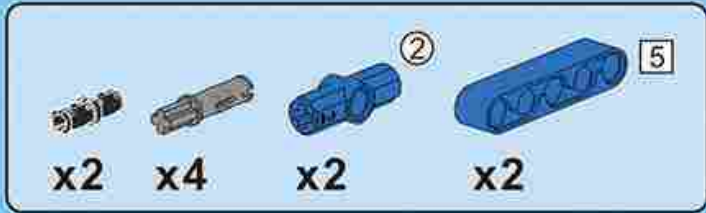




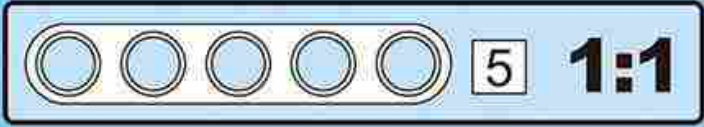
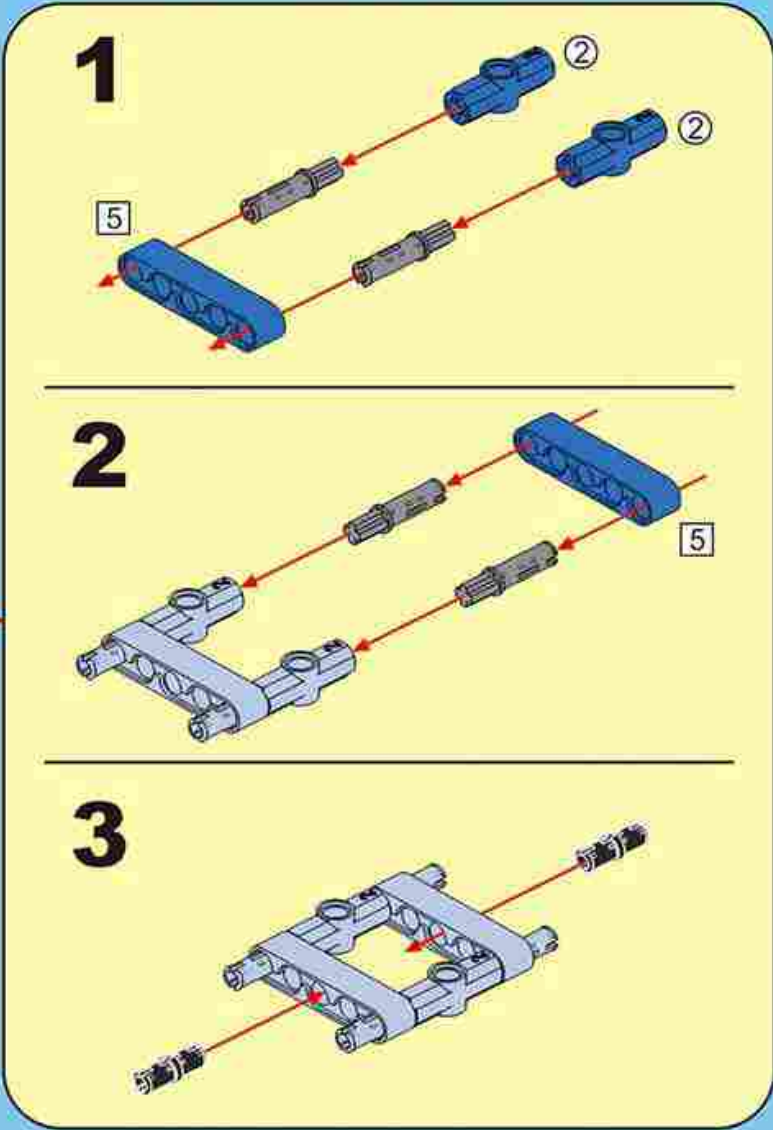
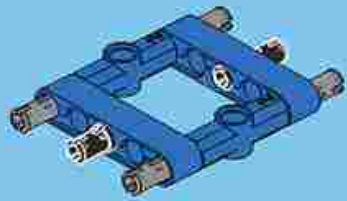


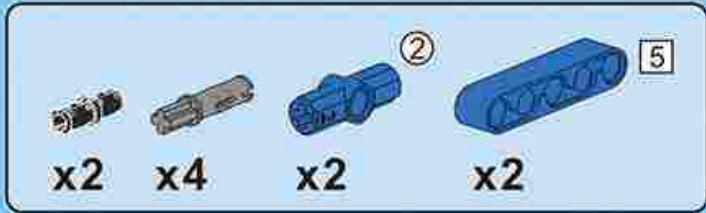
# A24



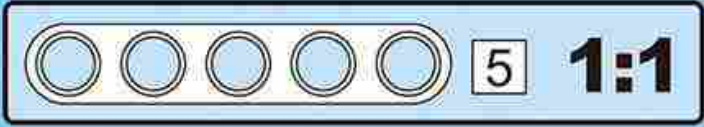
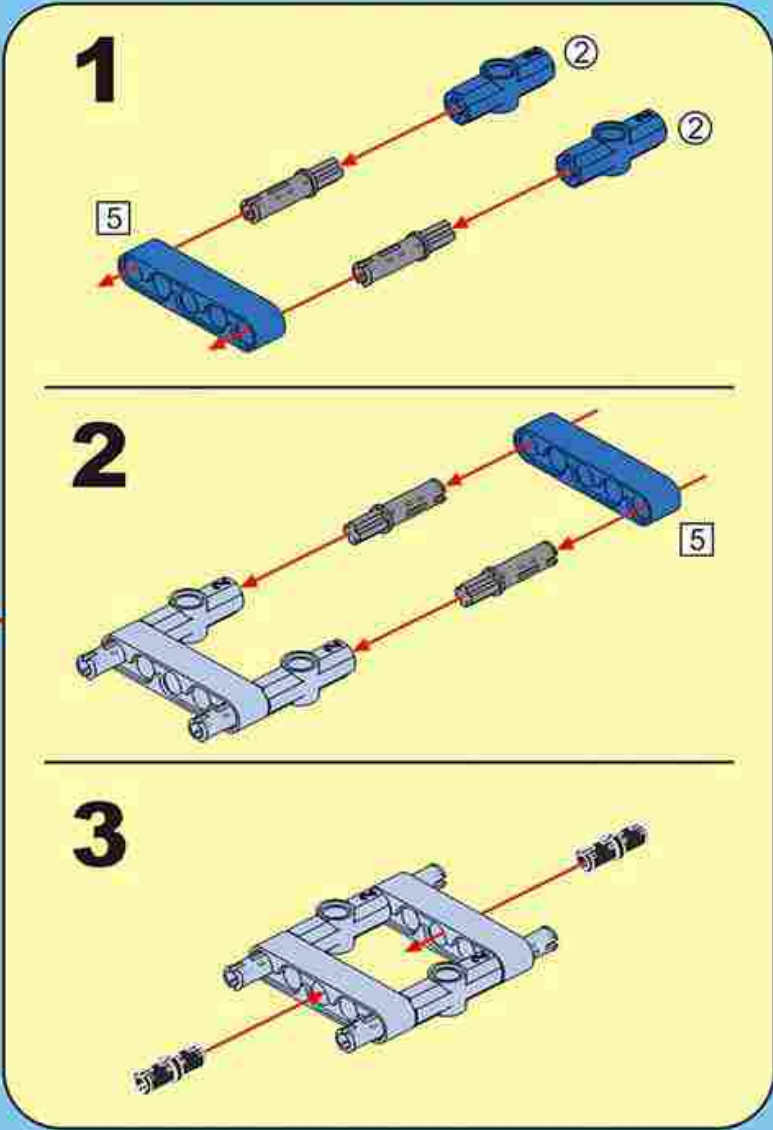
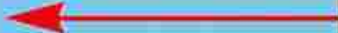
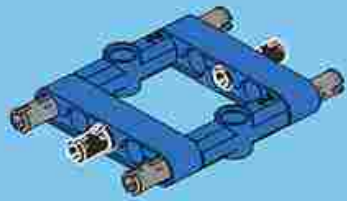


# A25

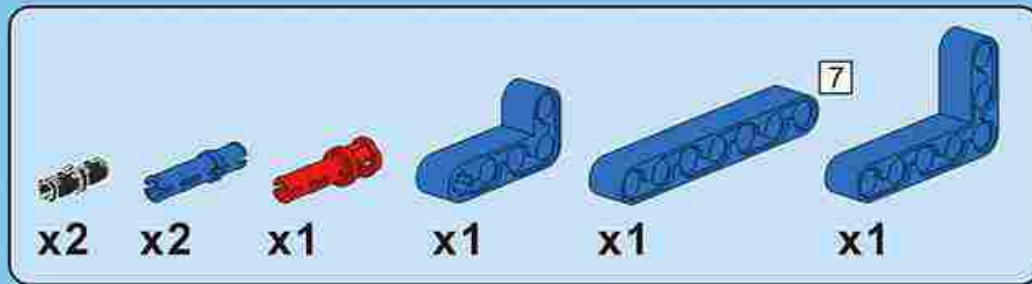




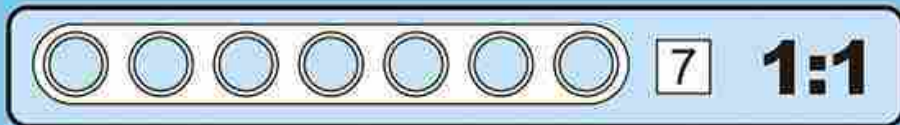
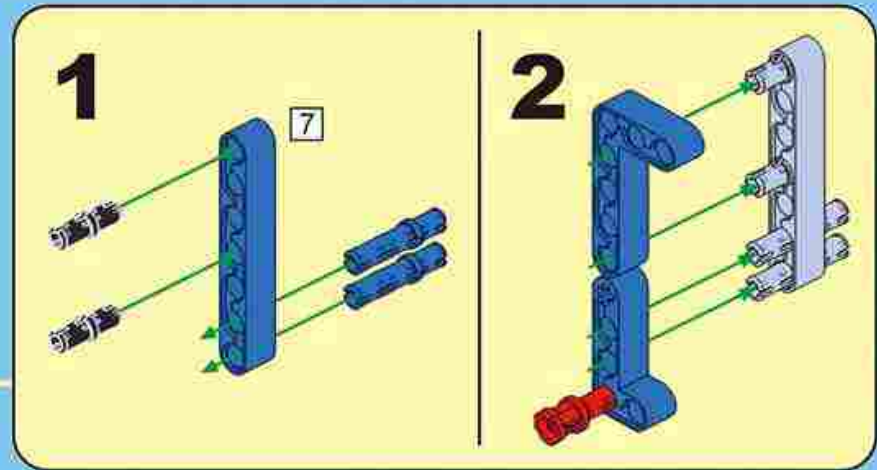
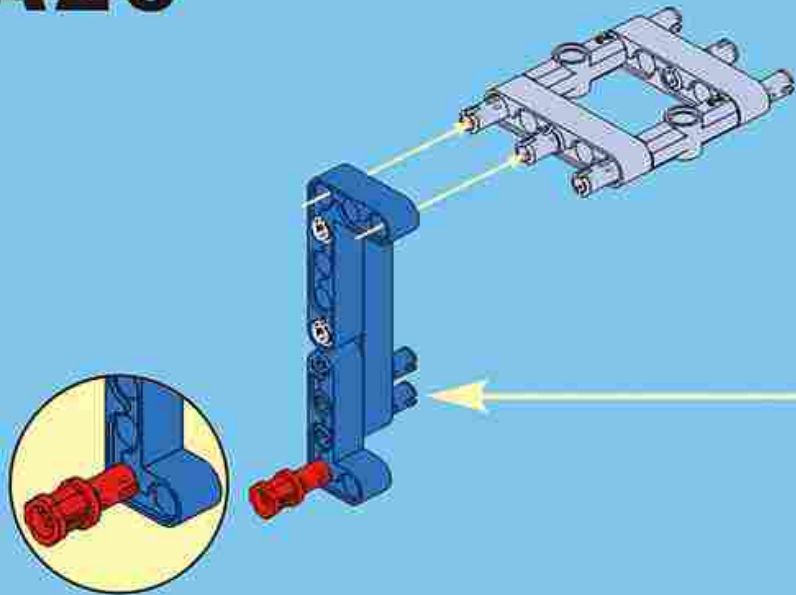
# A25



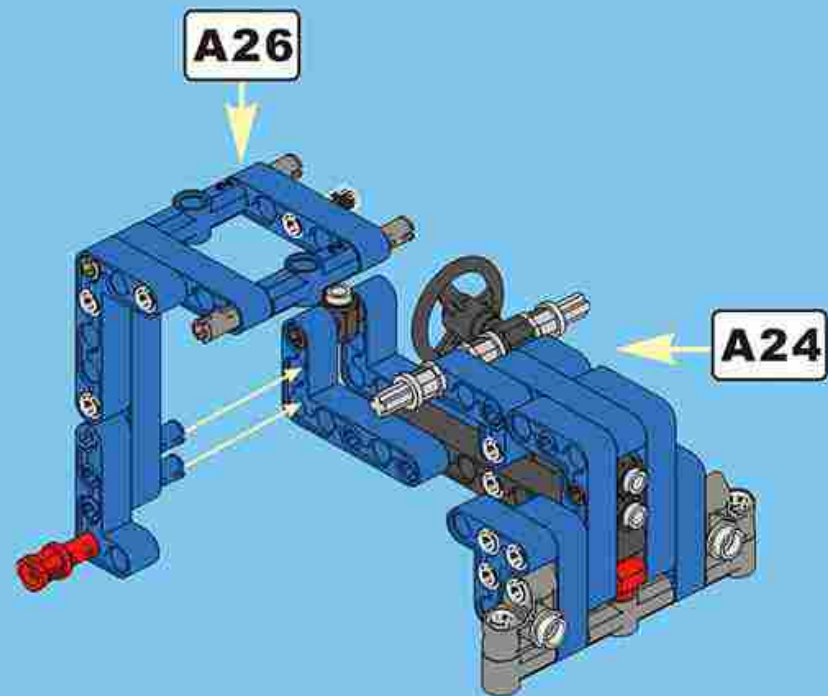


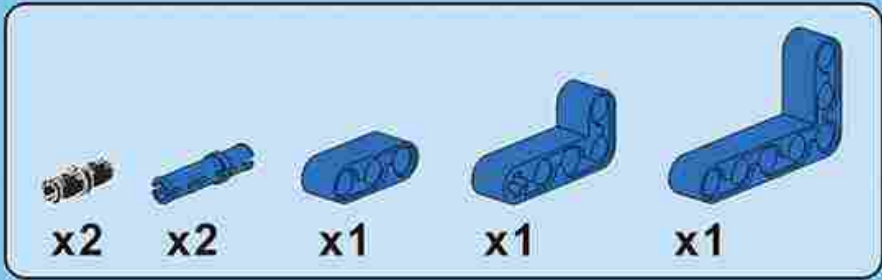


# A26

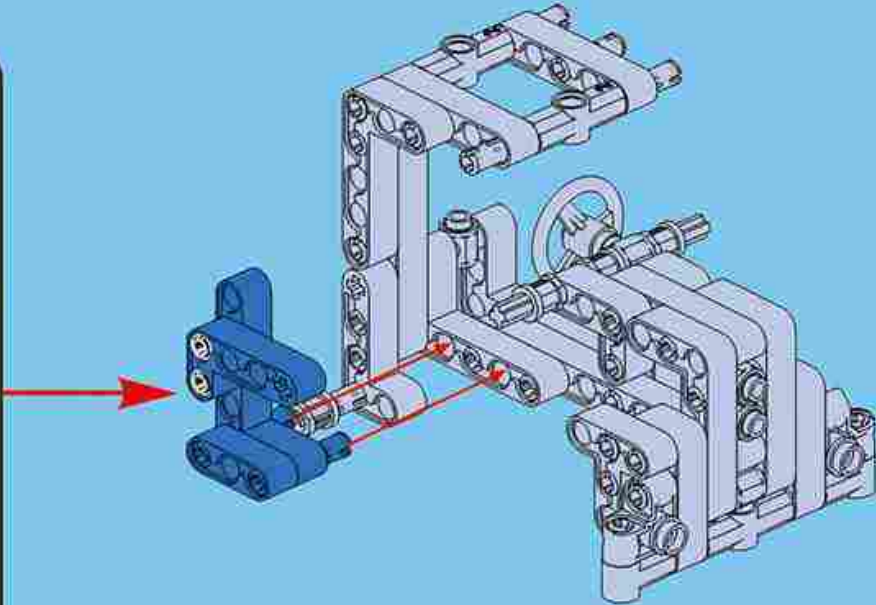
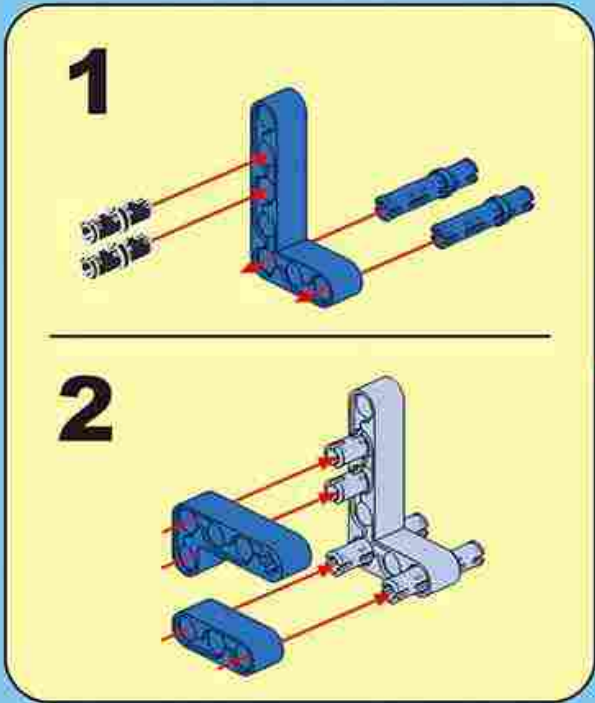


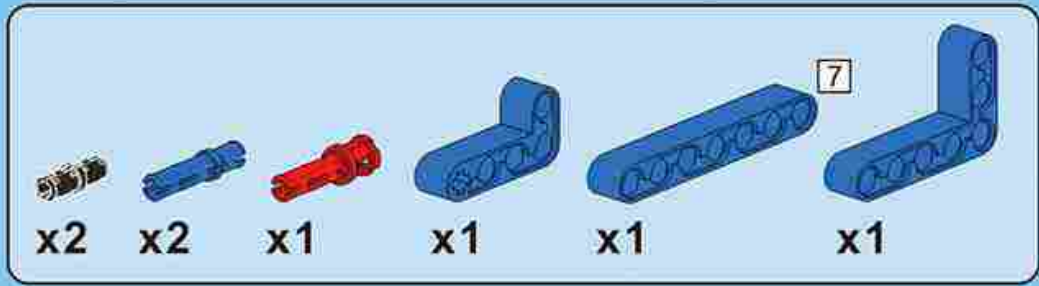
# A27



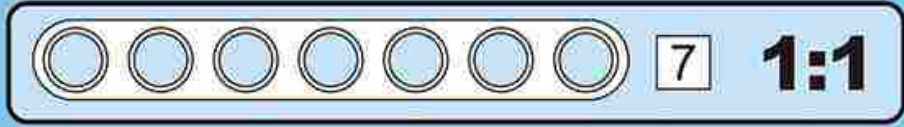
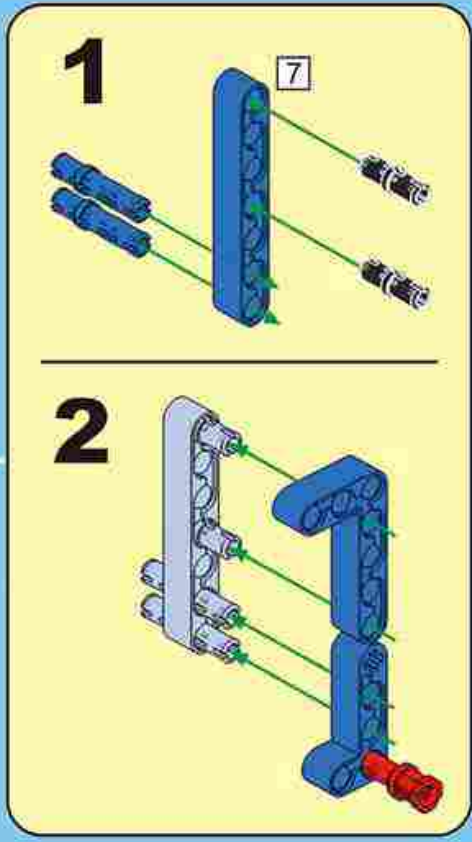
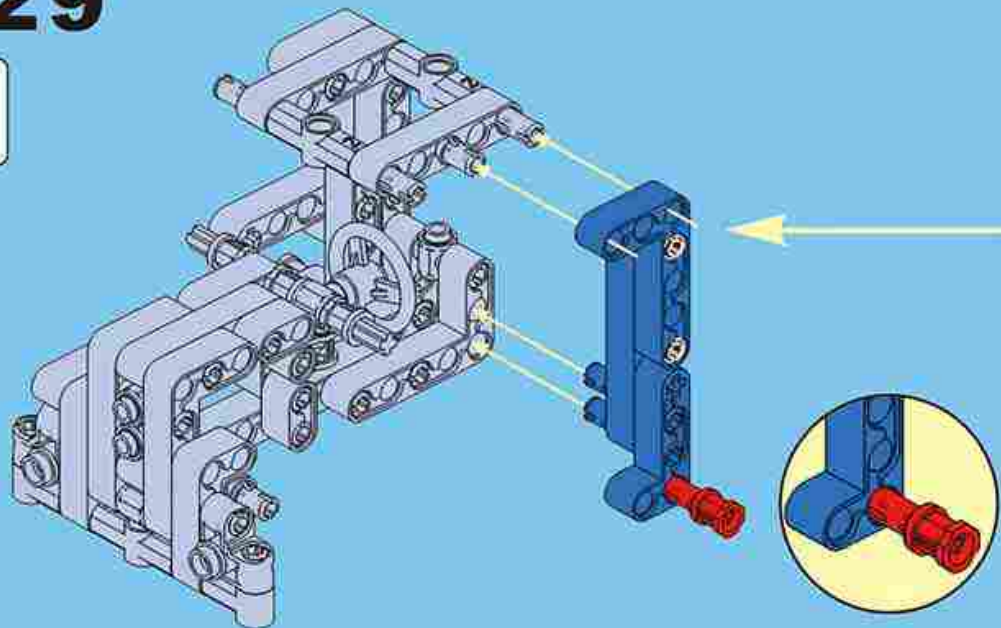


# A28

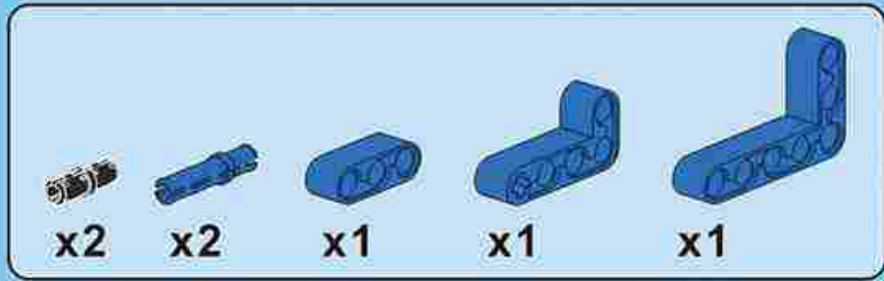




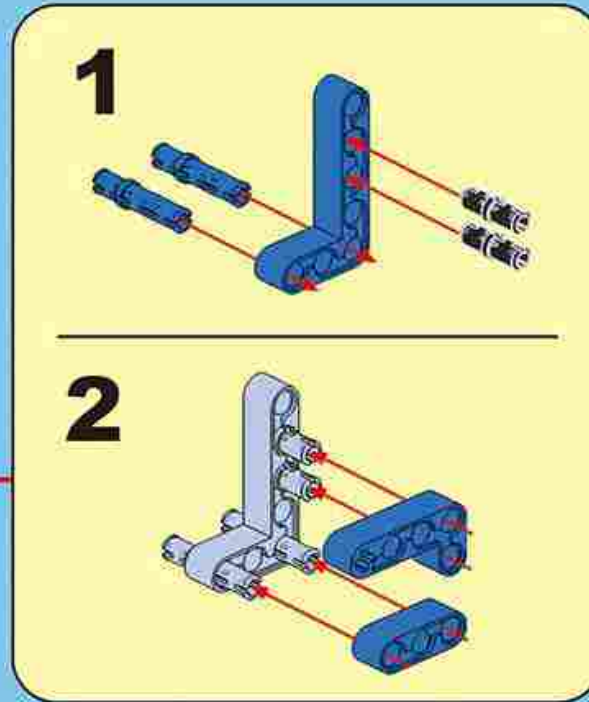
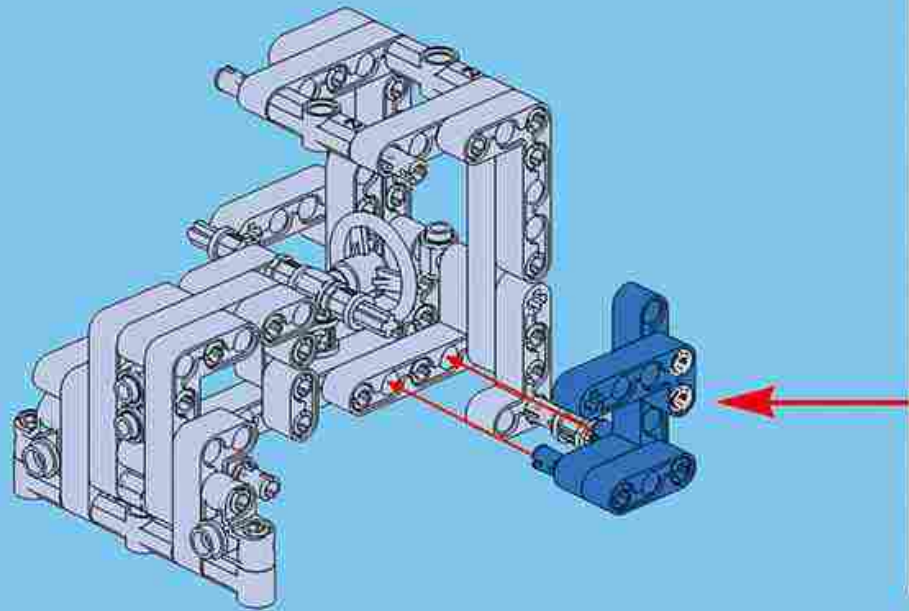
# A29

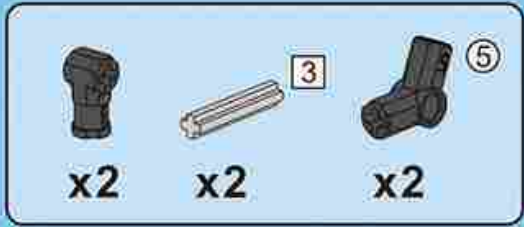




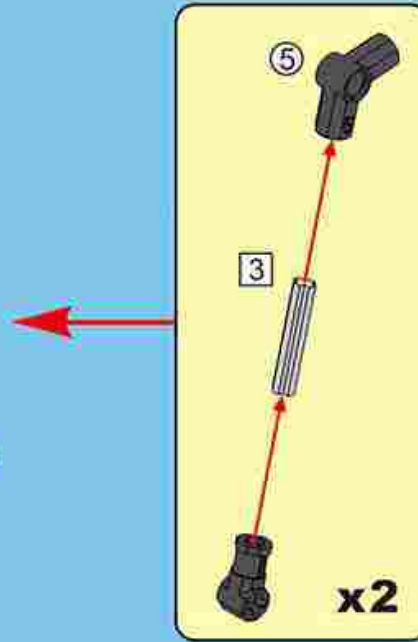
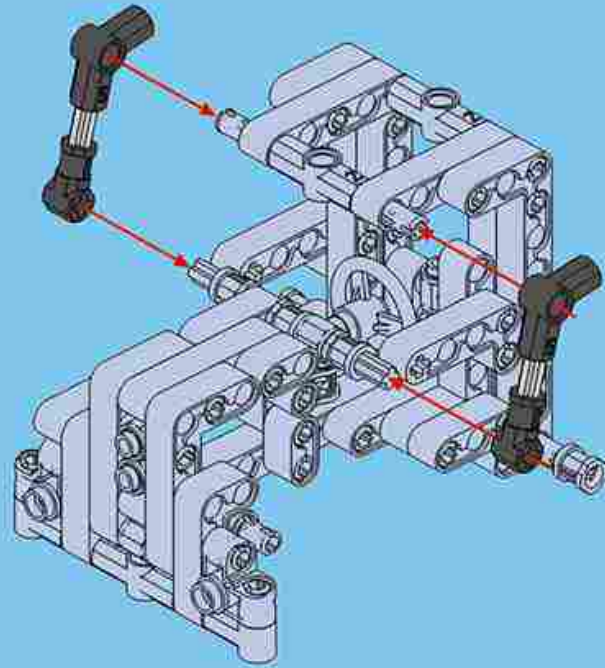


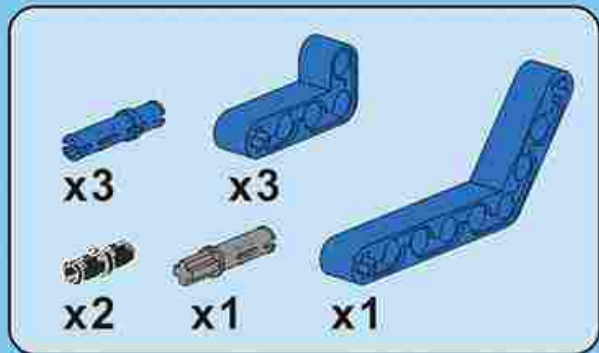
# A30



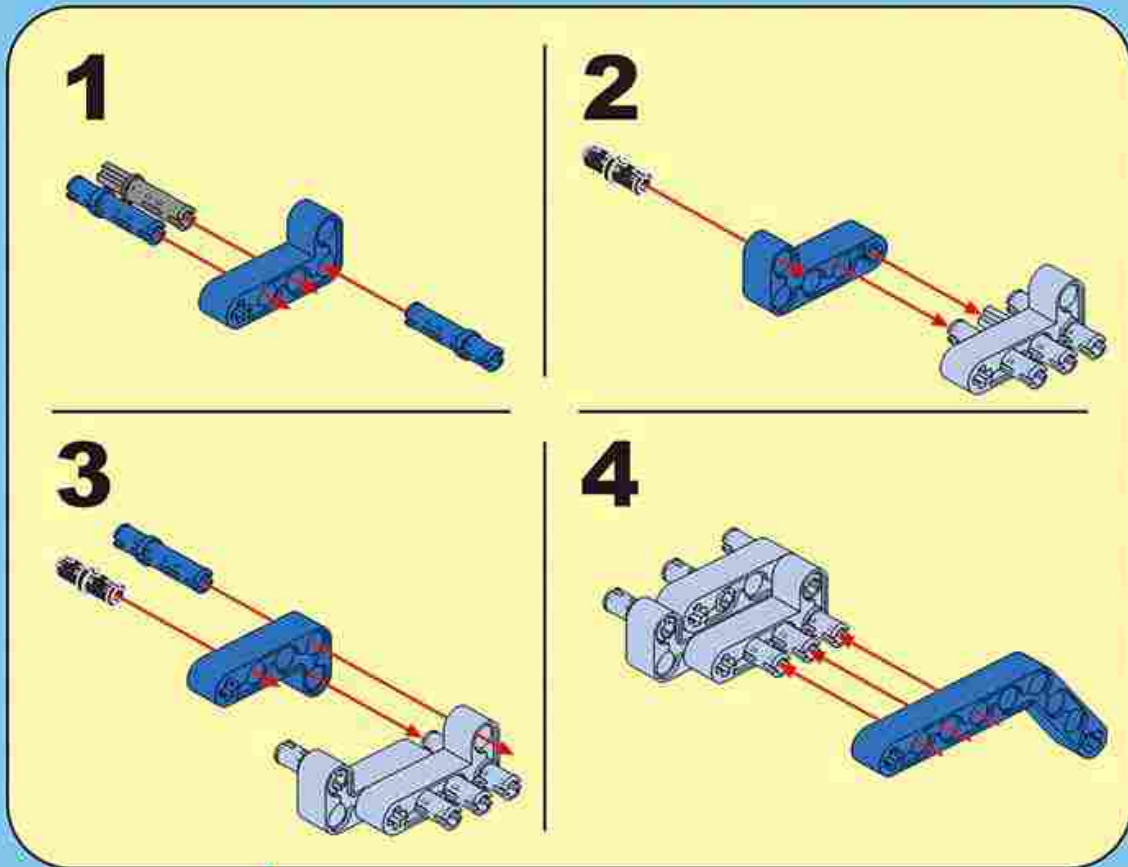
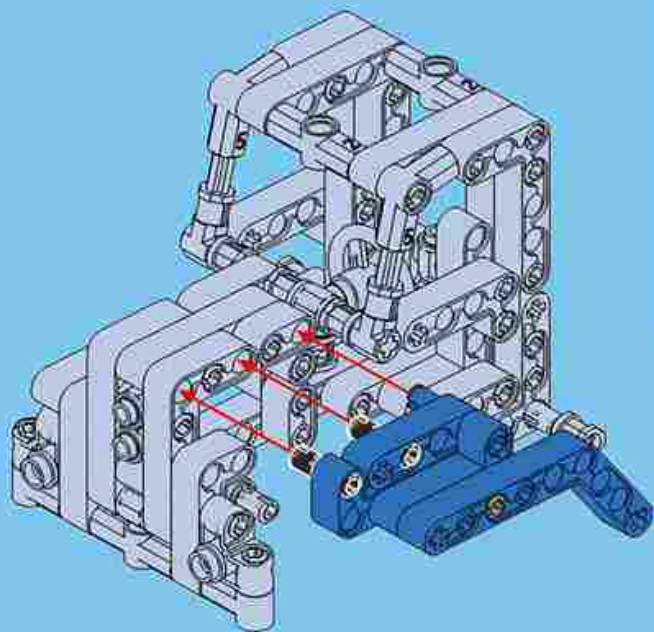


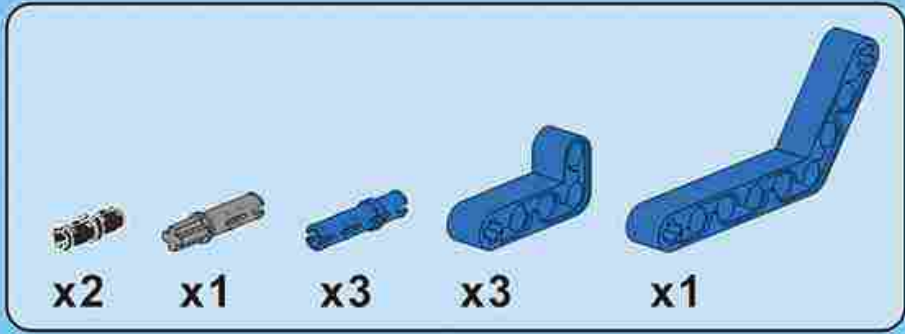
# A31



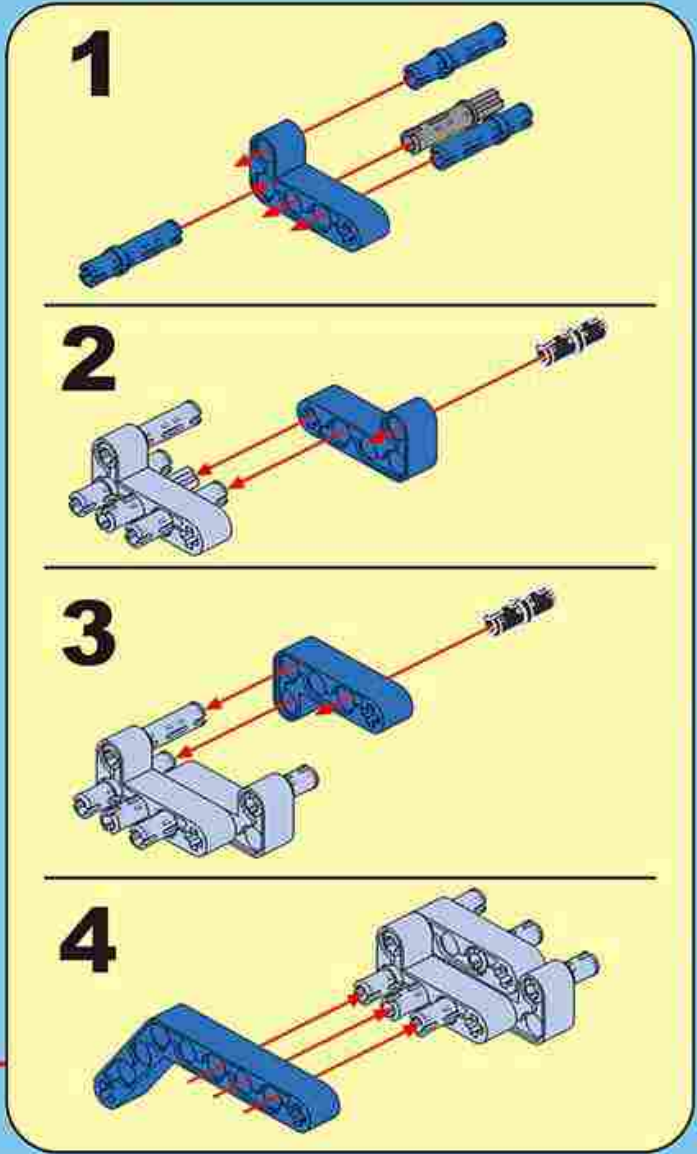
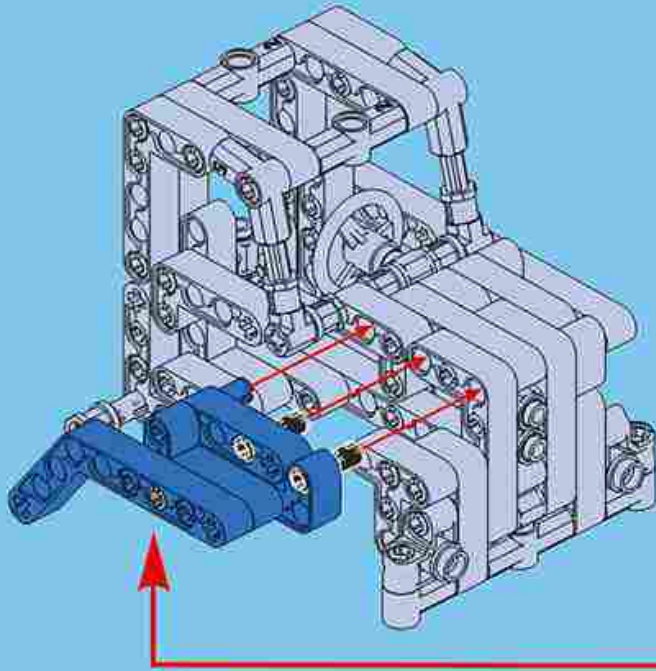


# A32

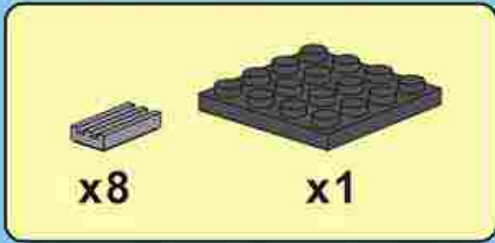




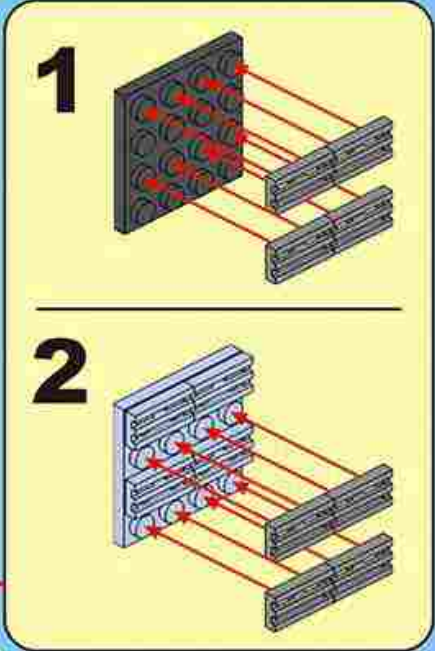
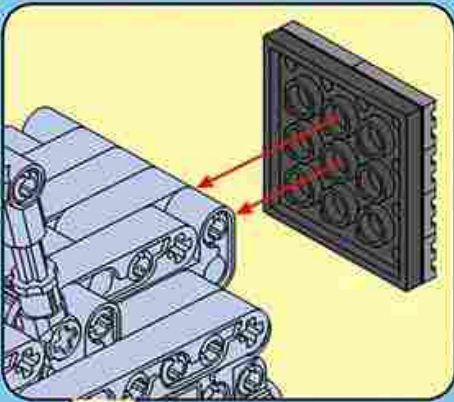
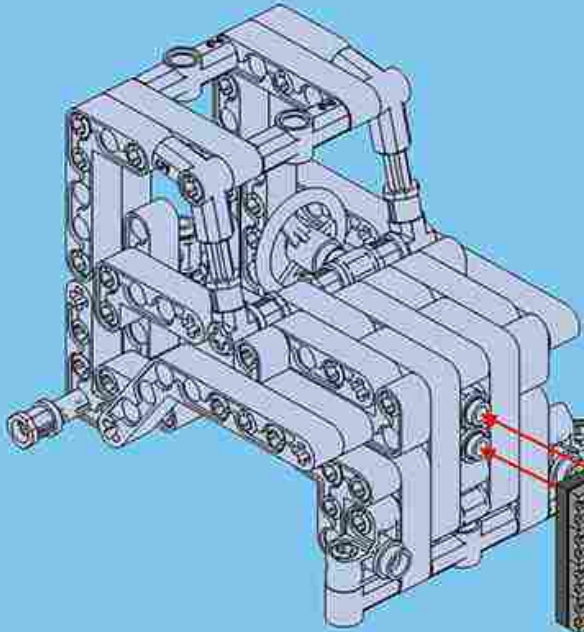
# A33





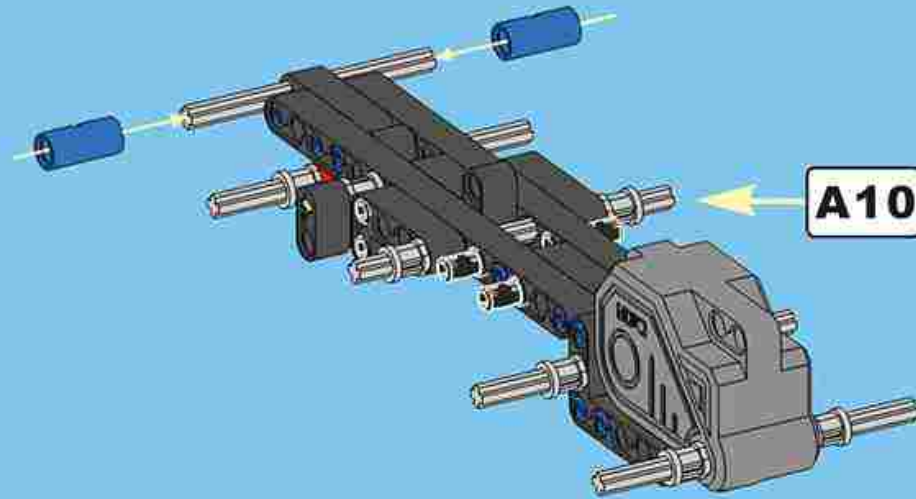


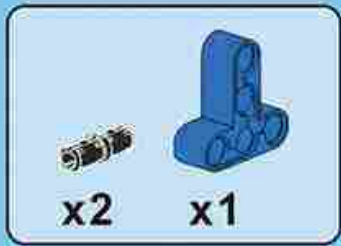
# A34



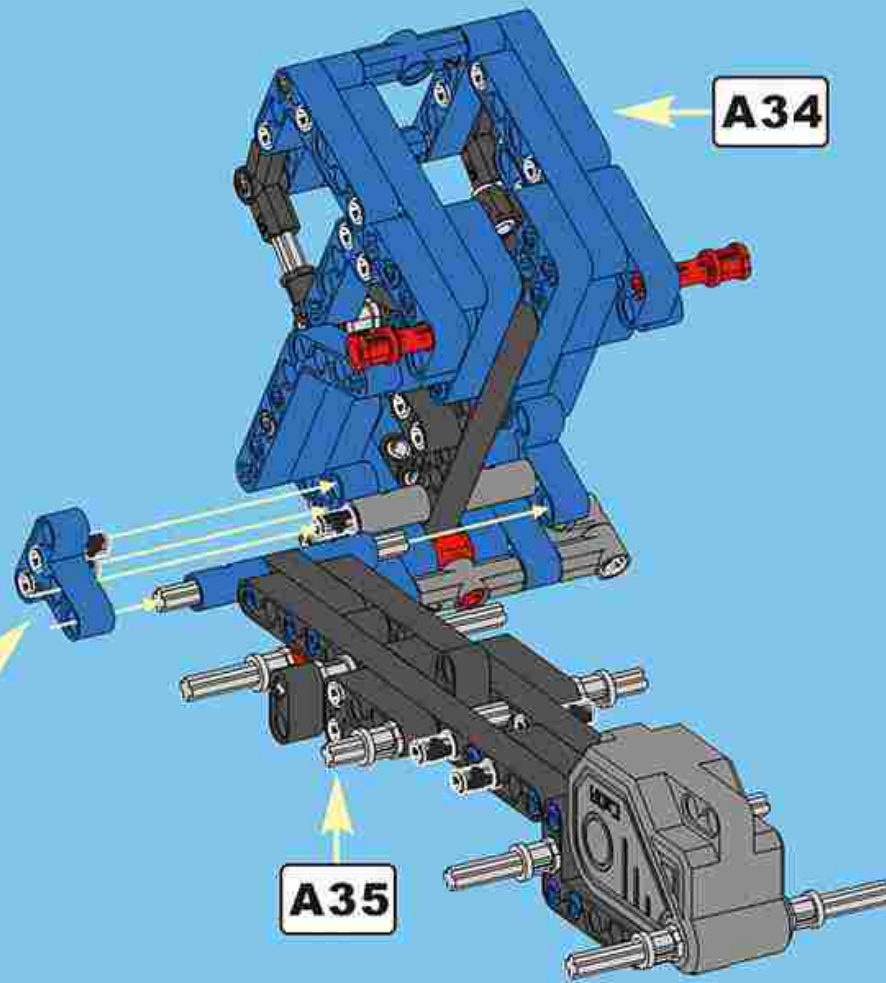
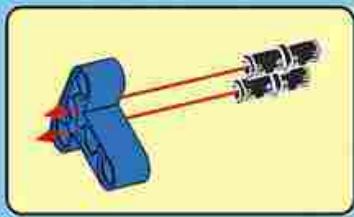


# A35

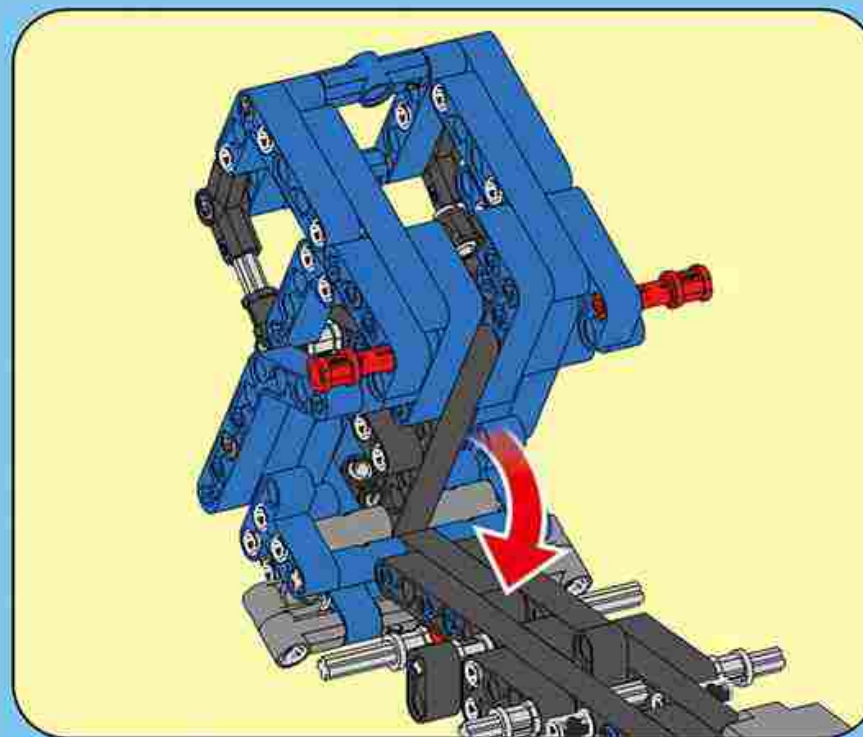
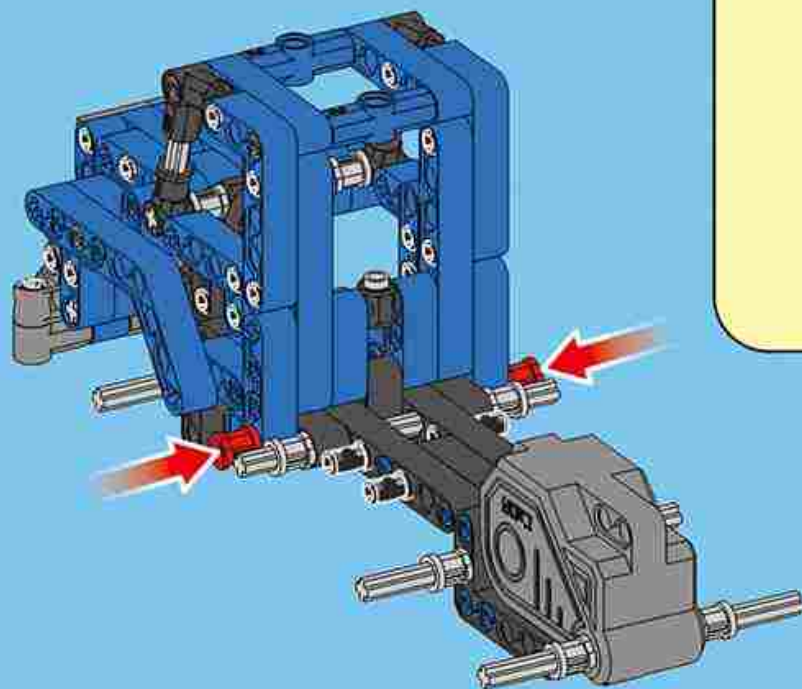




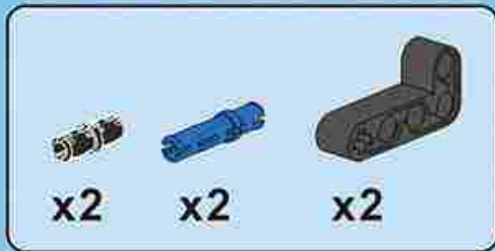
# A36



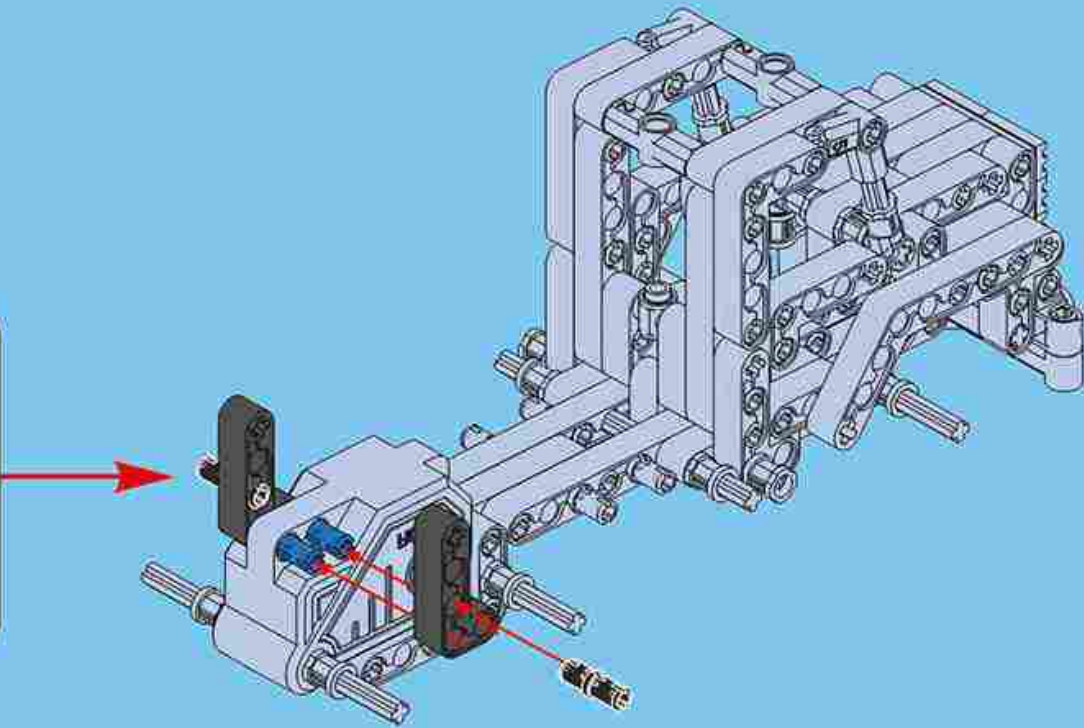
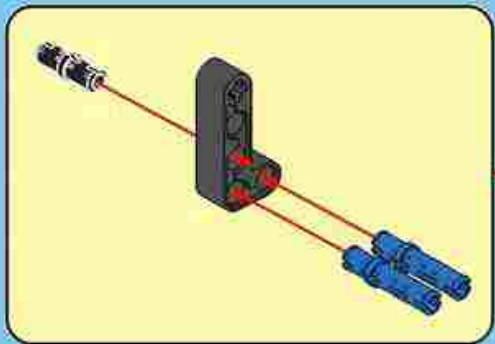
# A37

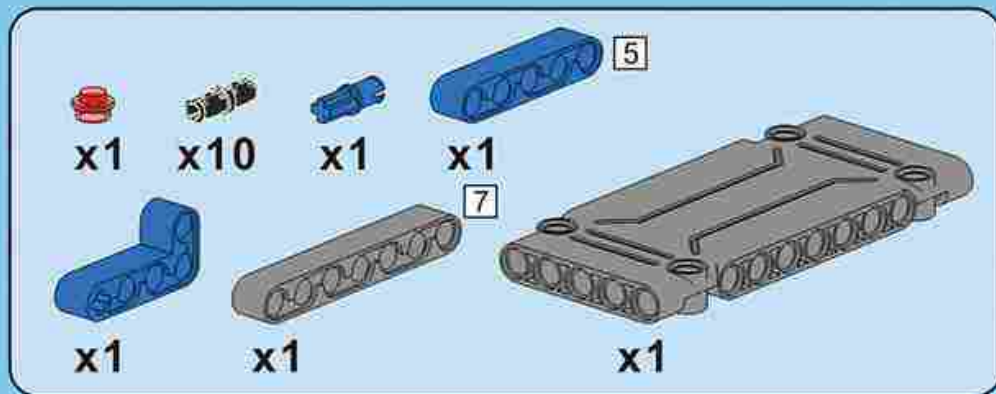




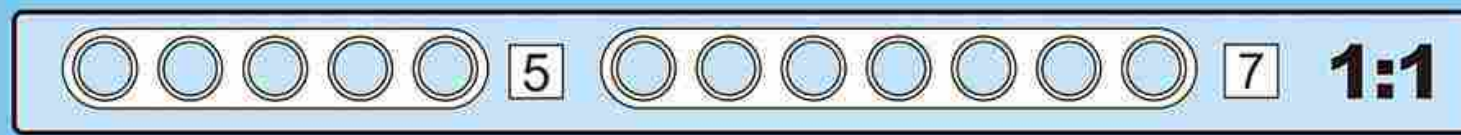
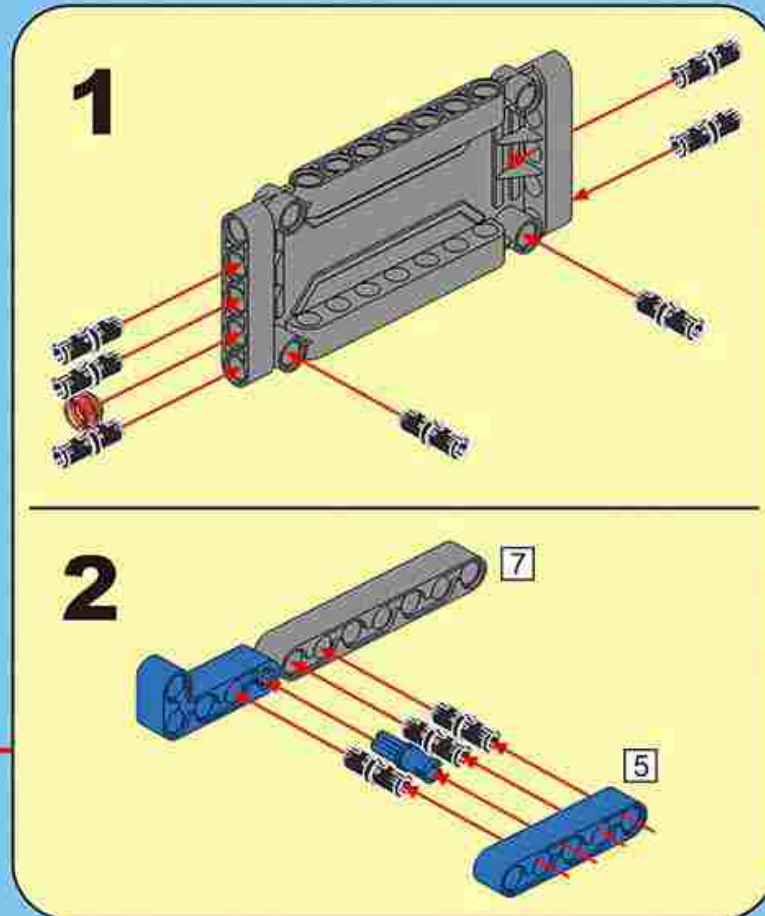
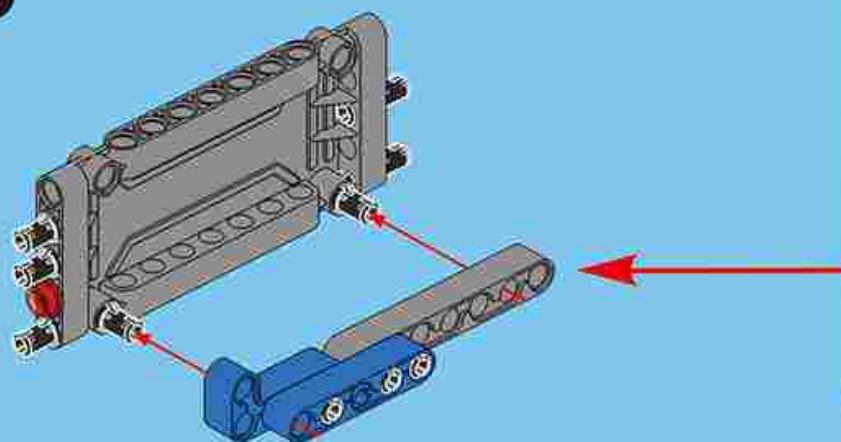


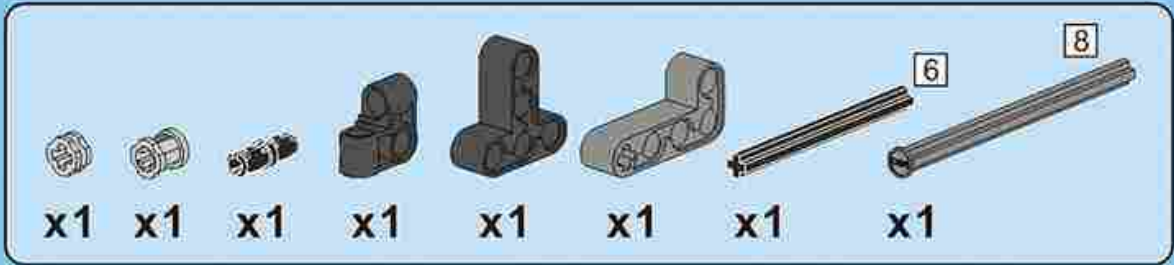
# A38



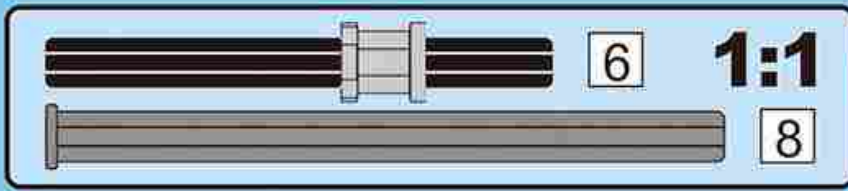
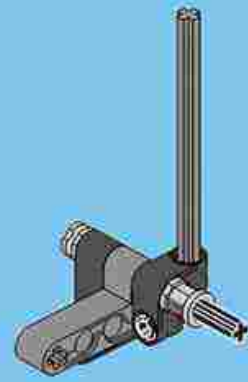
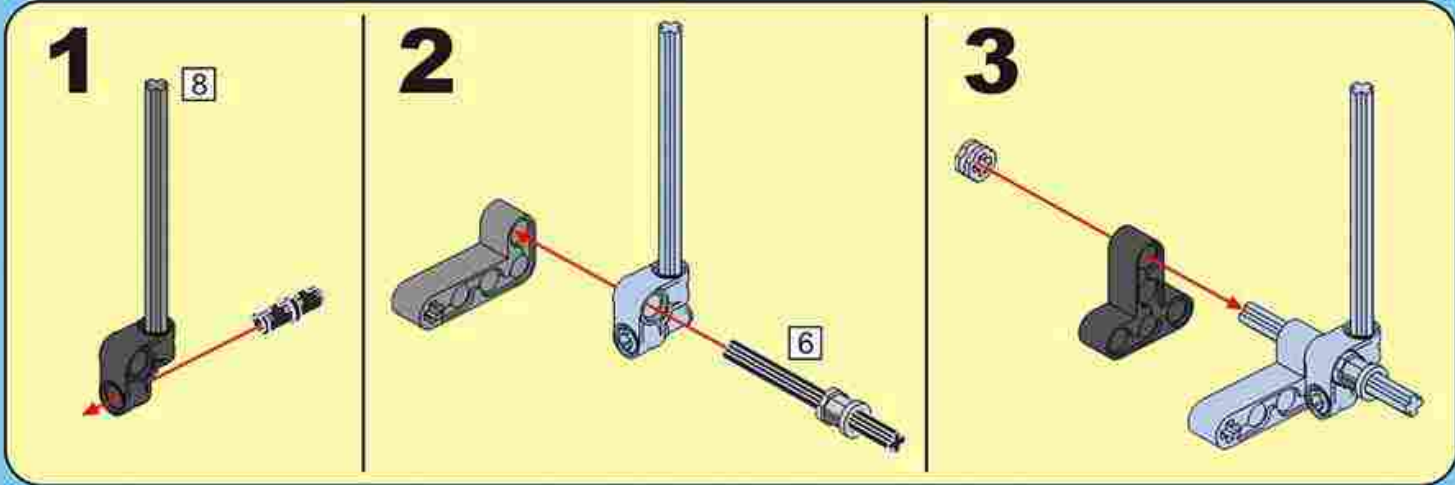


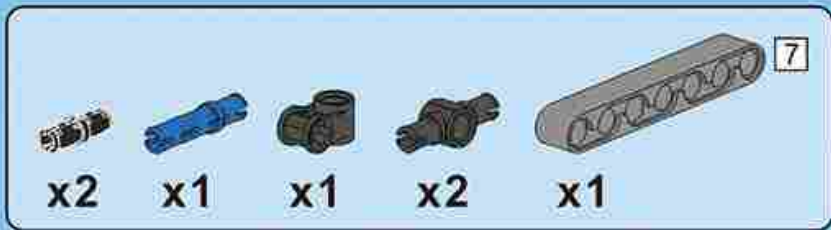
# A39



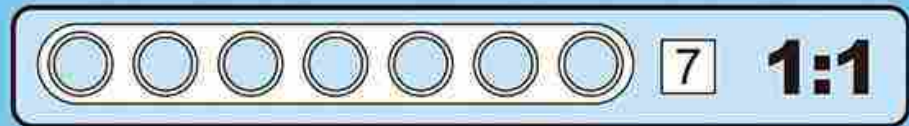
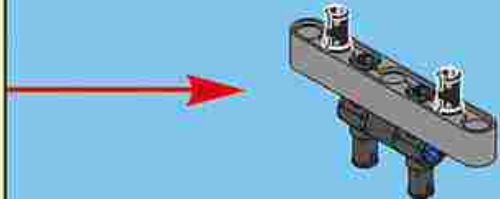
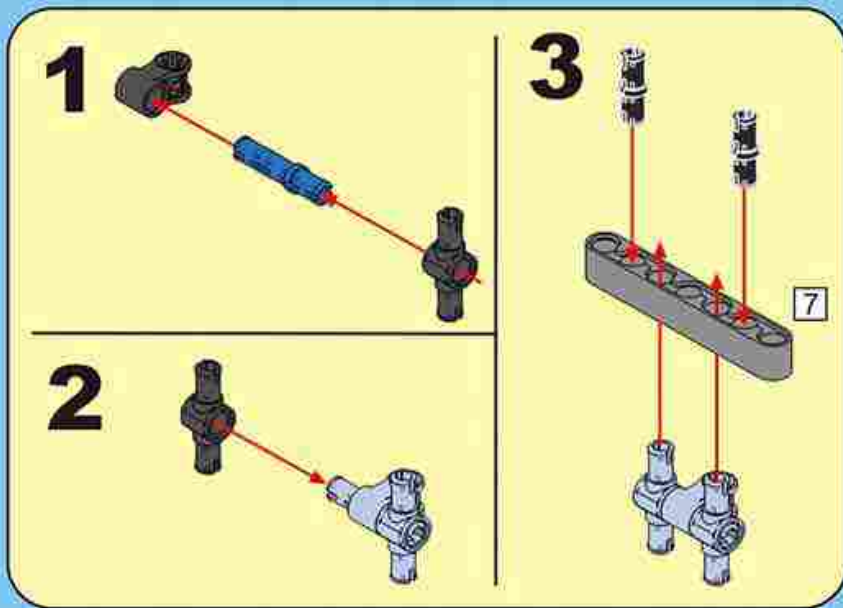


# A40

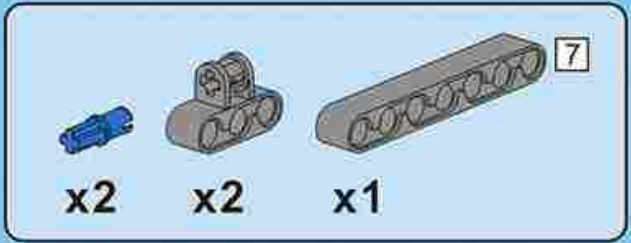




# A41

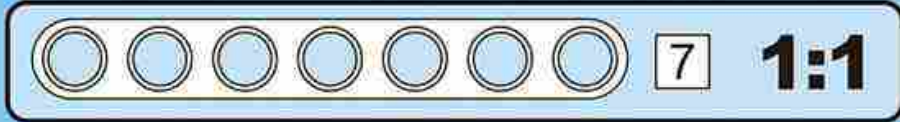
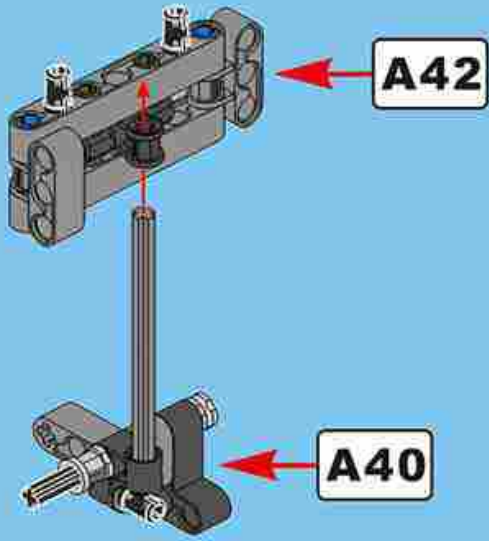
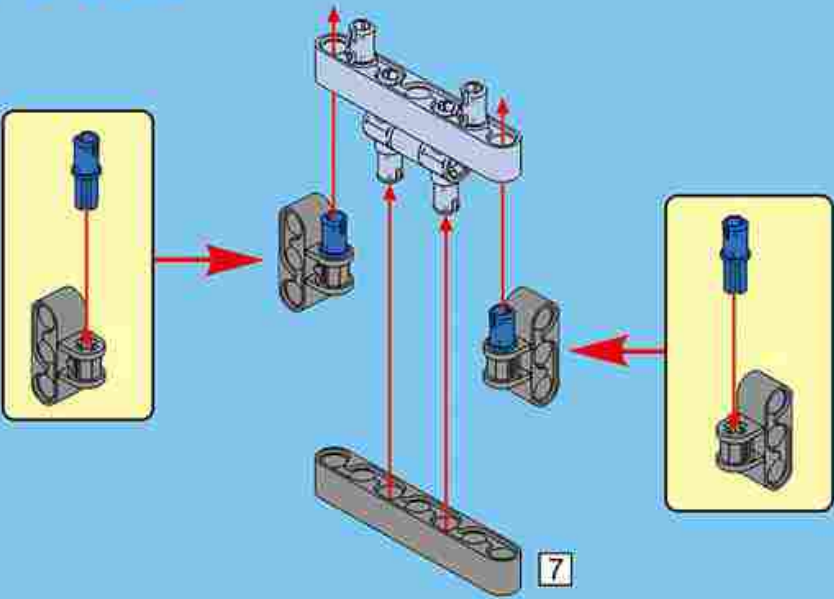




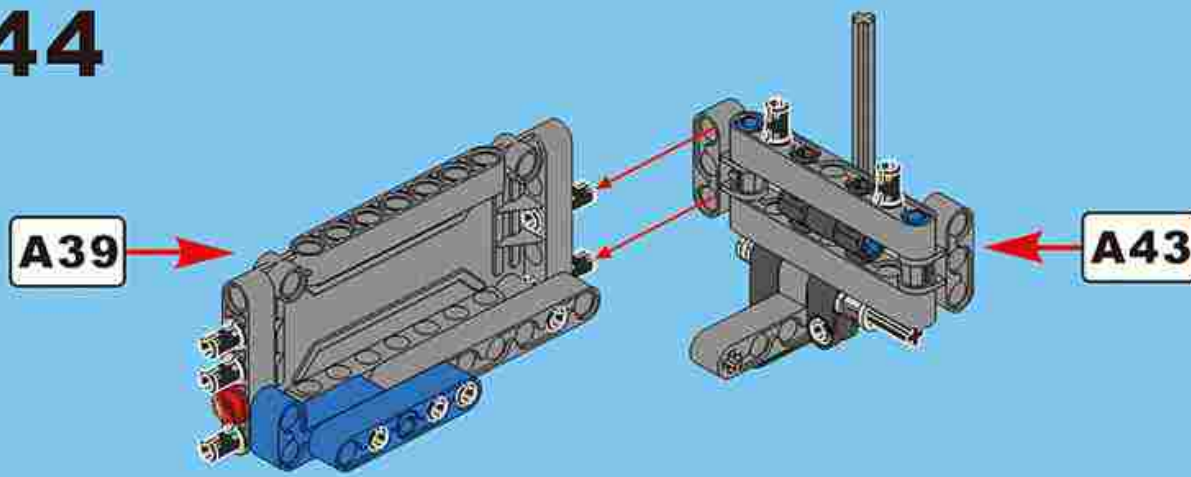


# A43

# A42

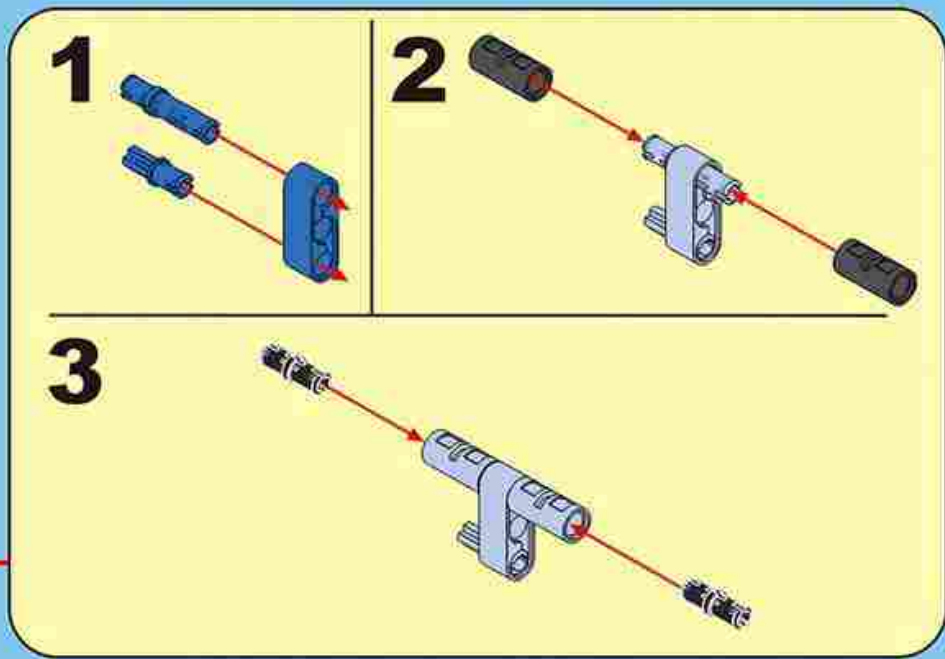
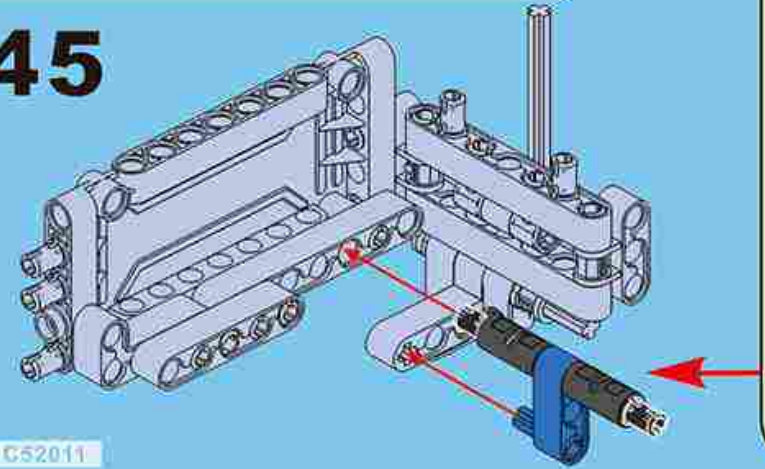


# A44



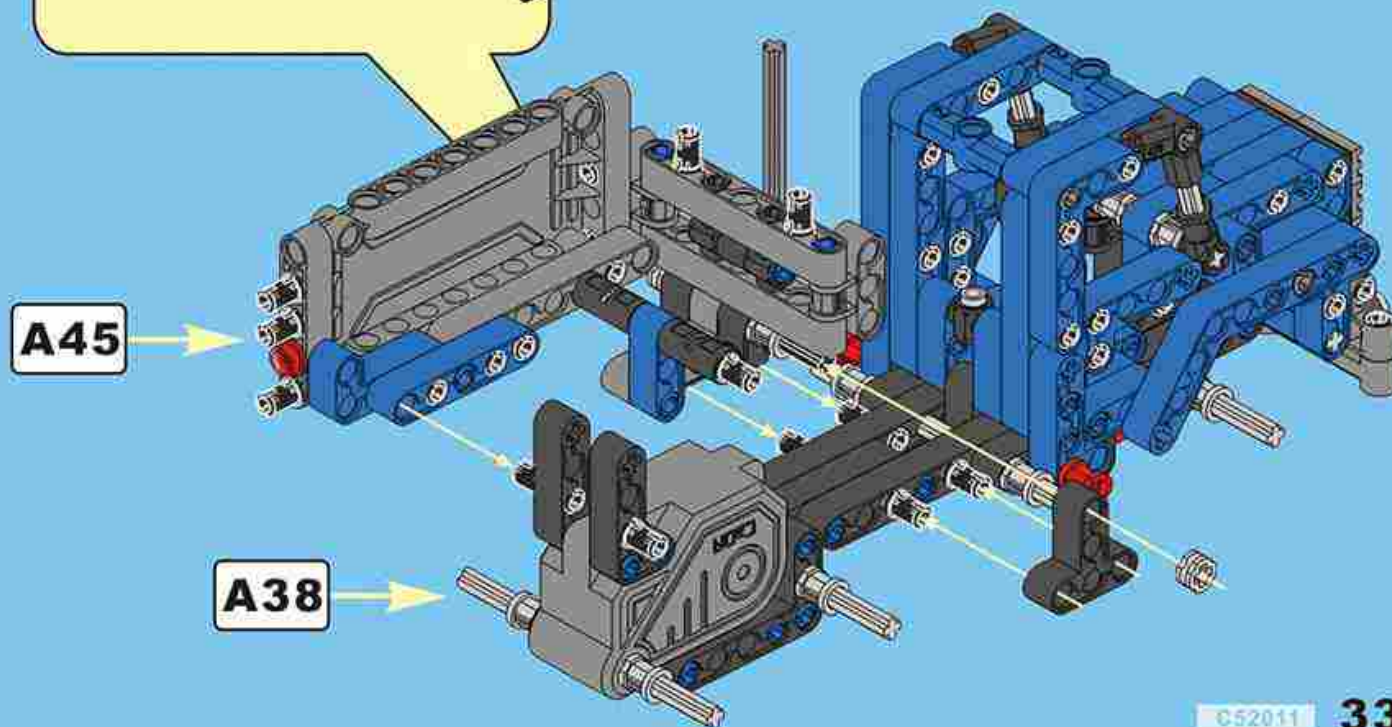
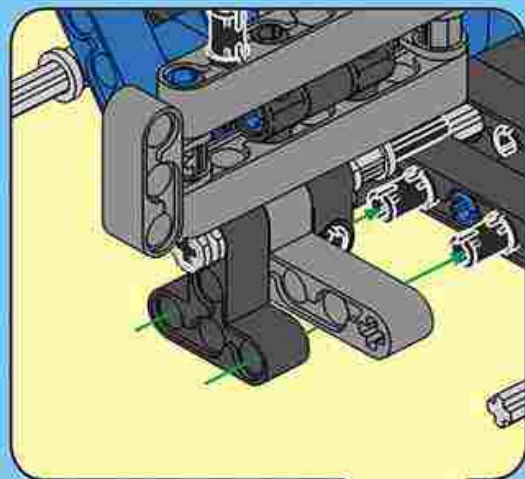
- x1
- x2
- x1
- x2
- x1

# A45

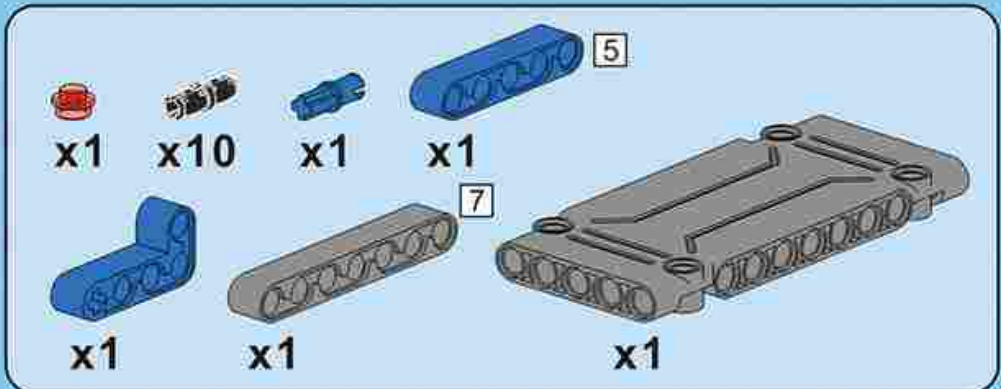




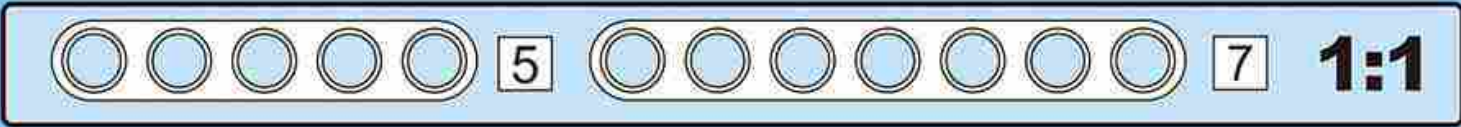
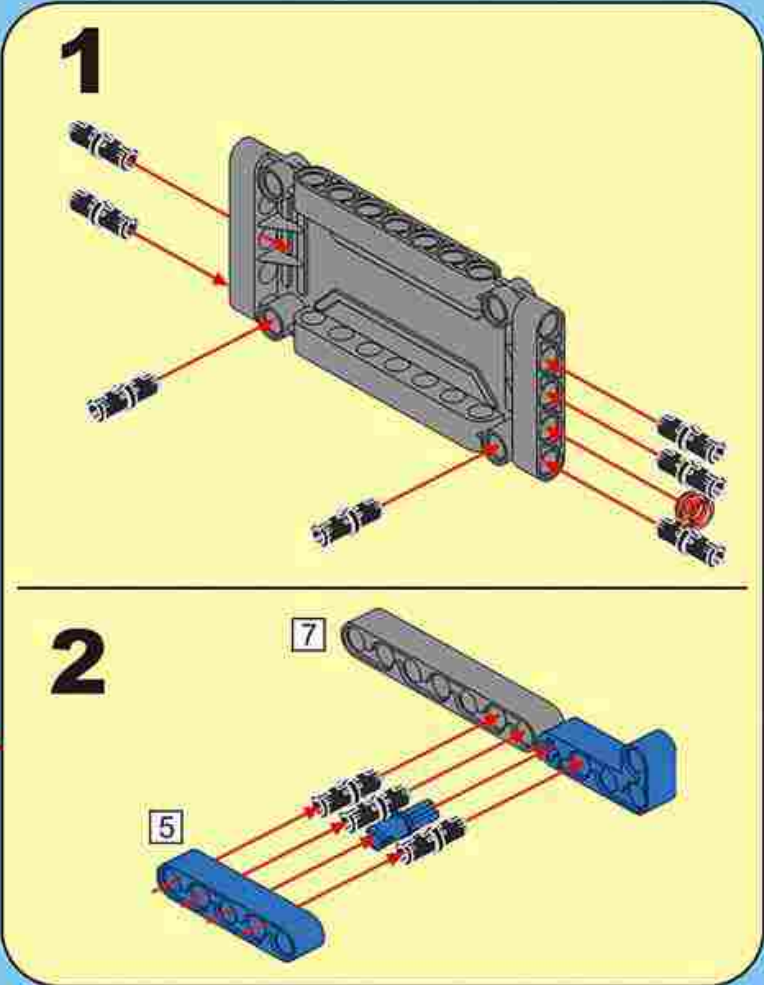
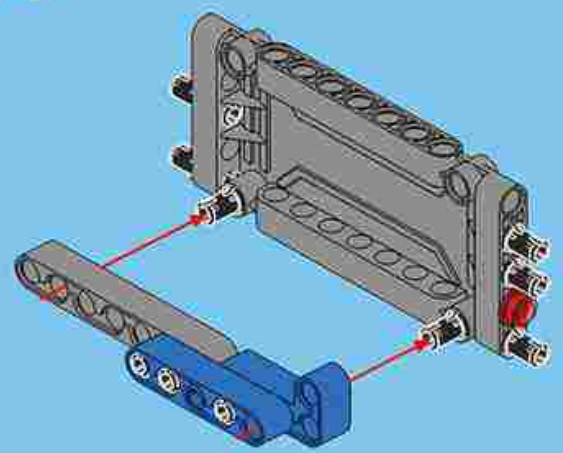
**A46**





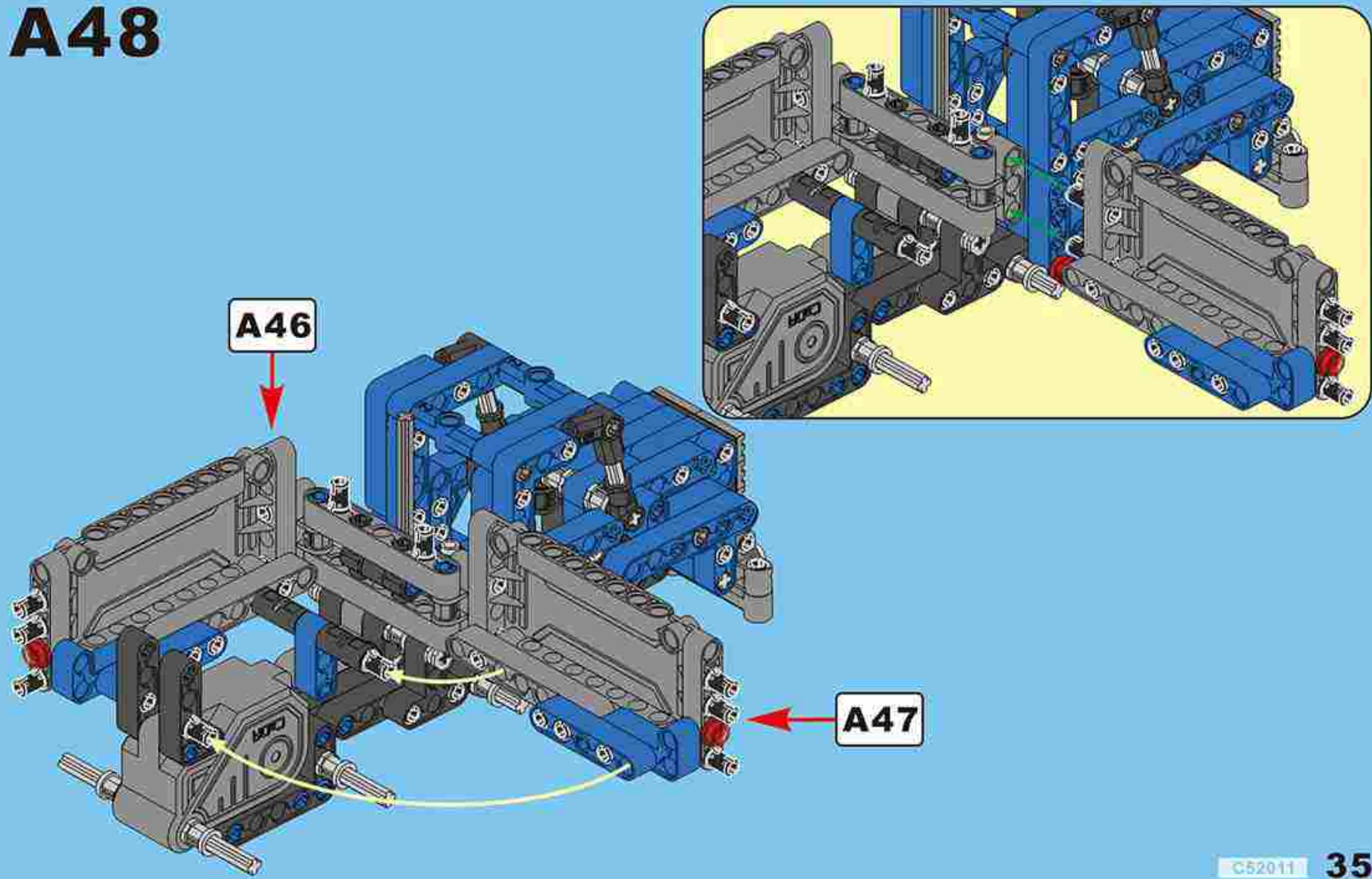


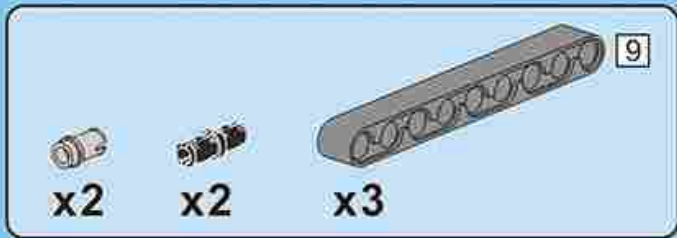
# A47



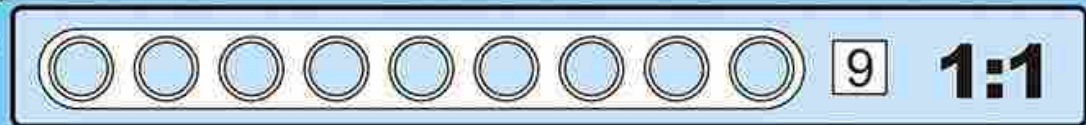
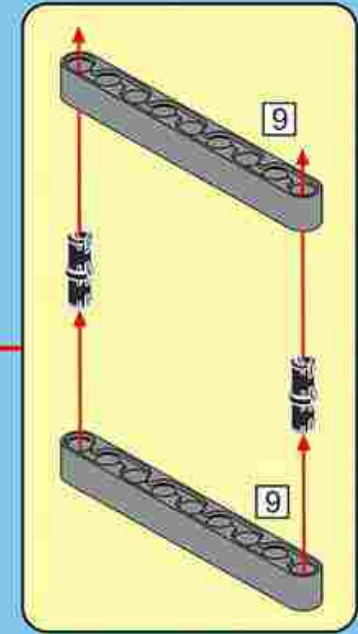
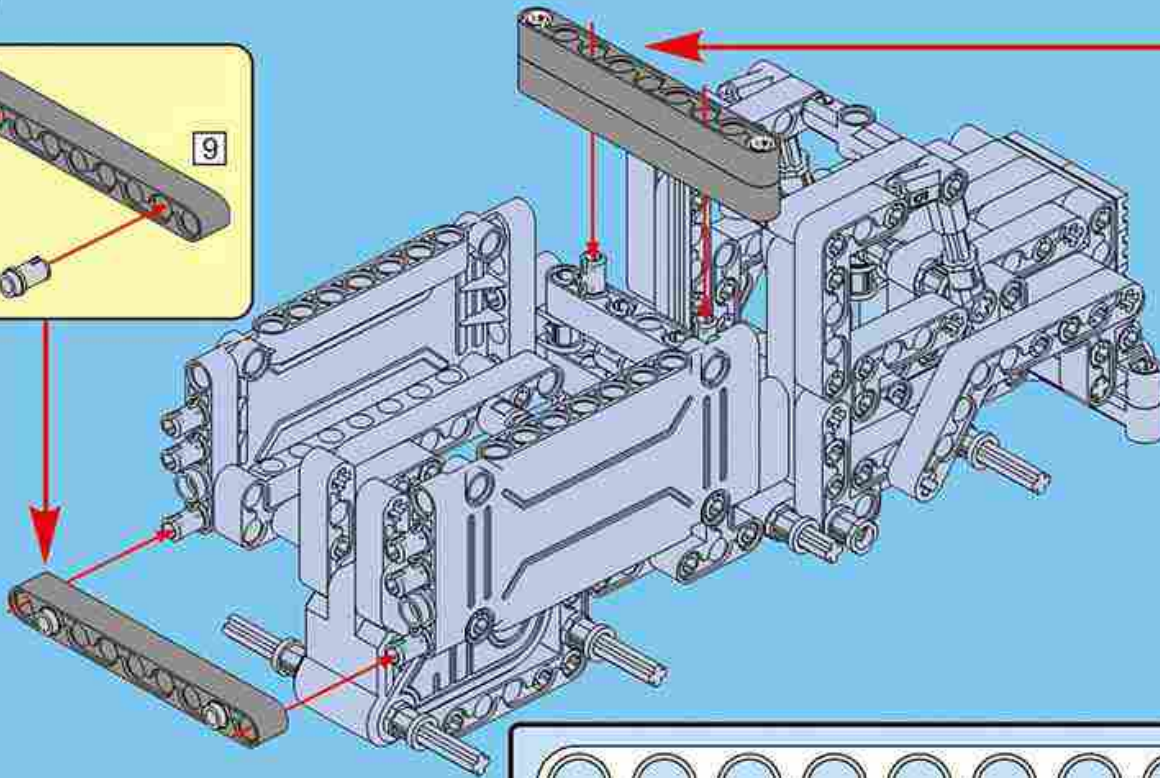
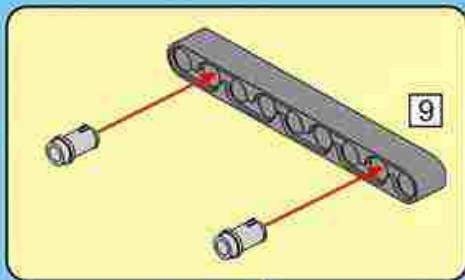


# A48

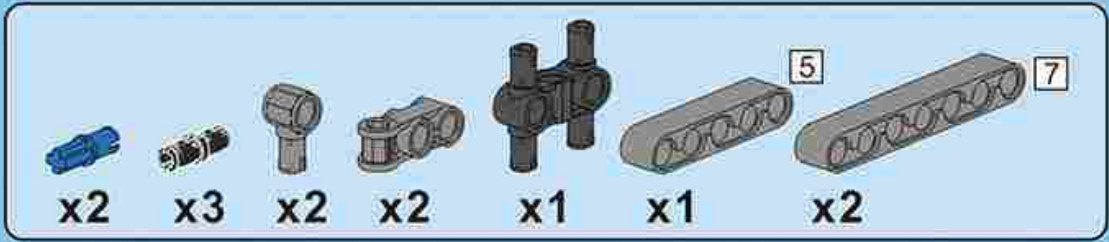




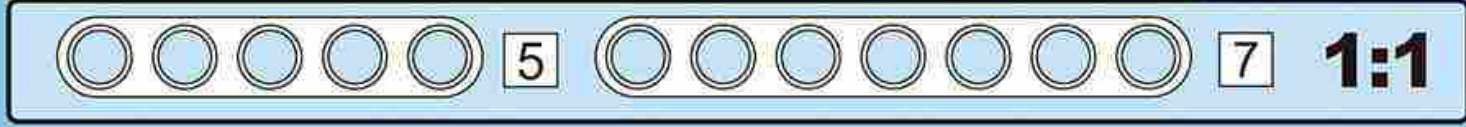
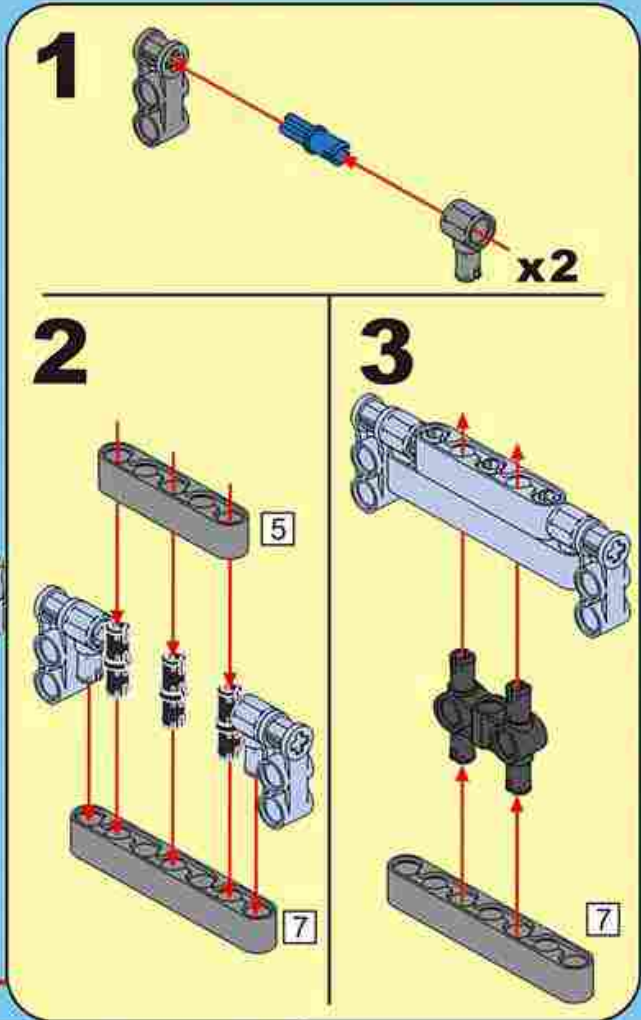
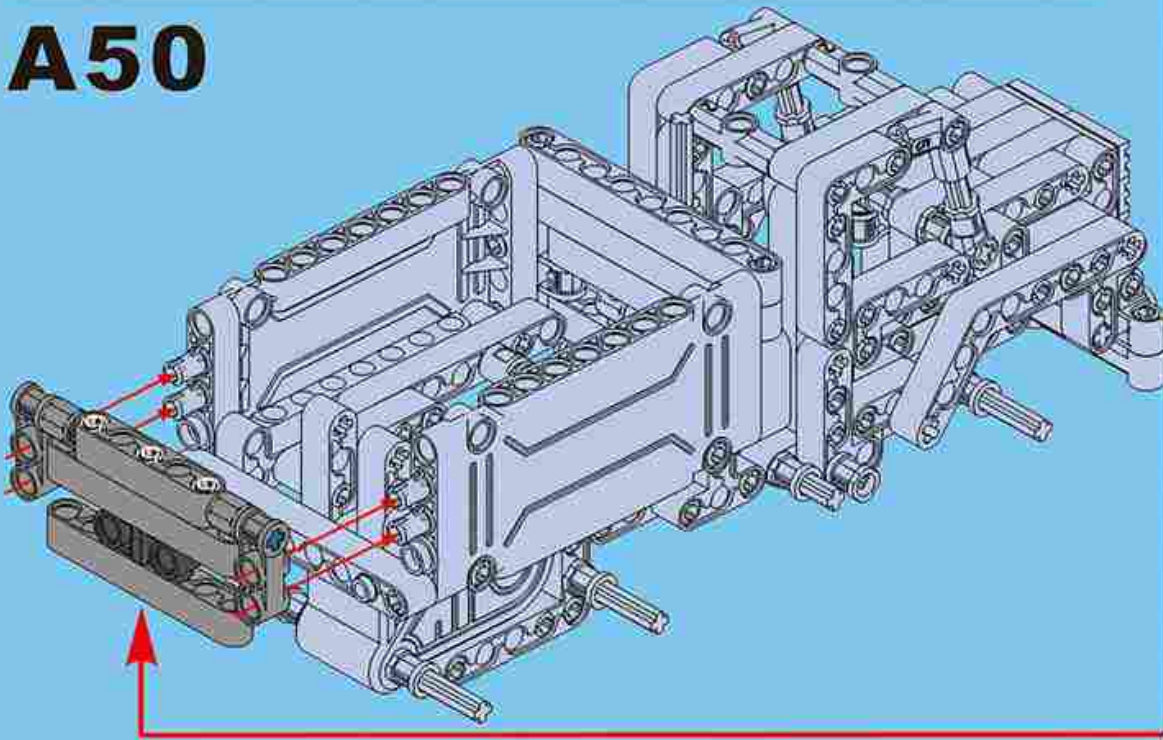
# A49

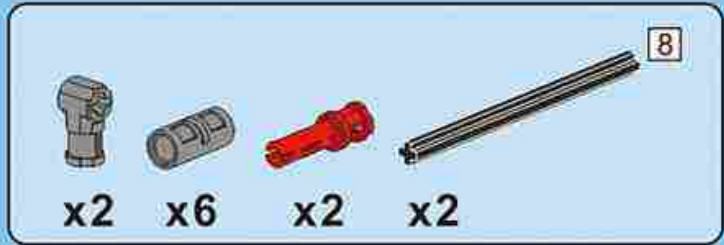
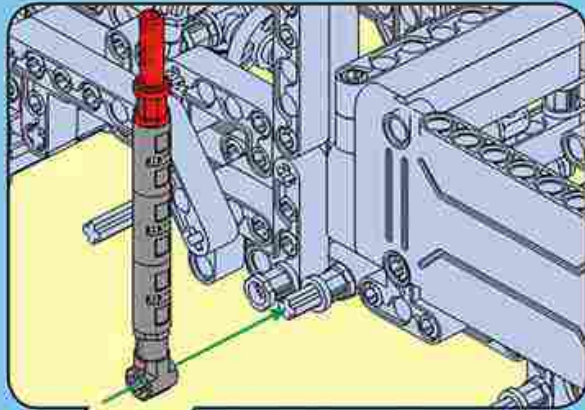




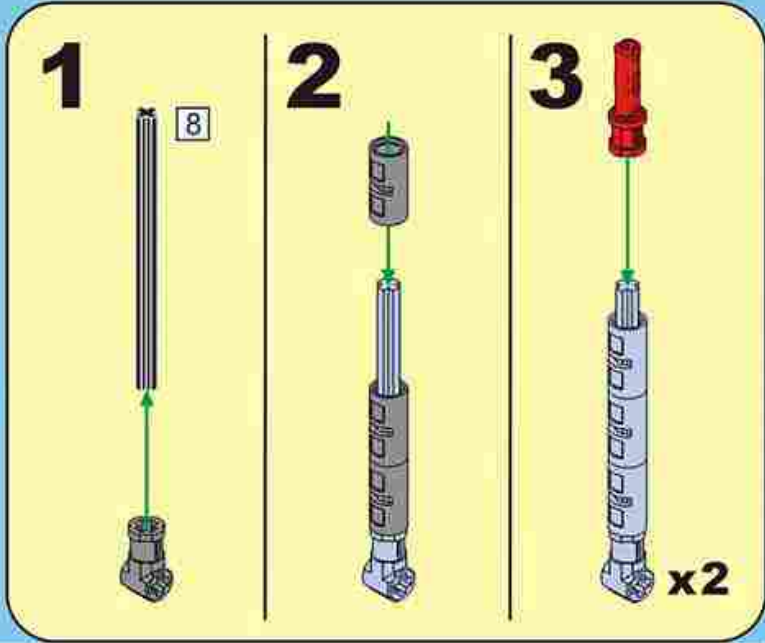


# A50

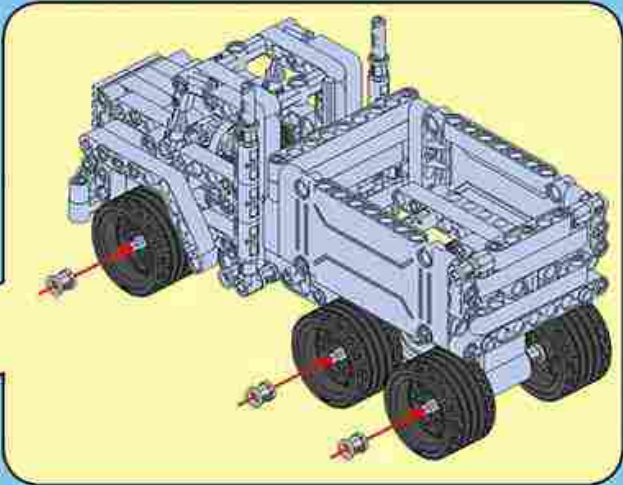
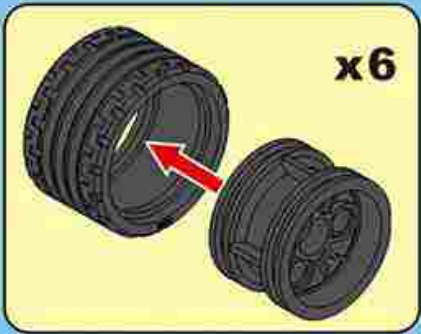




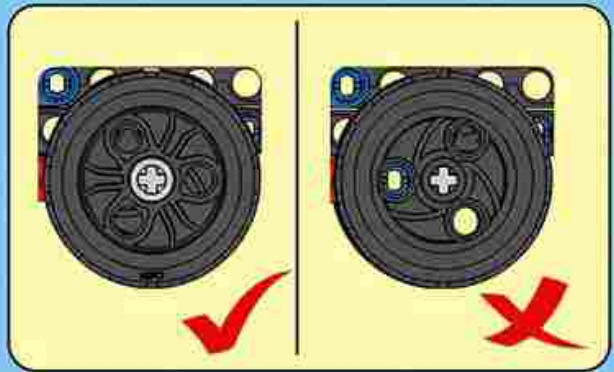
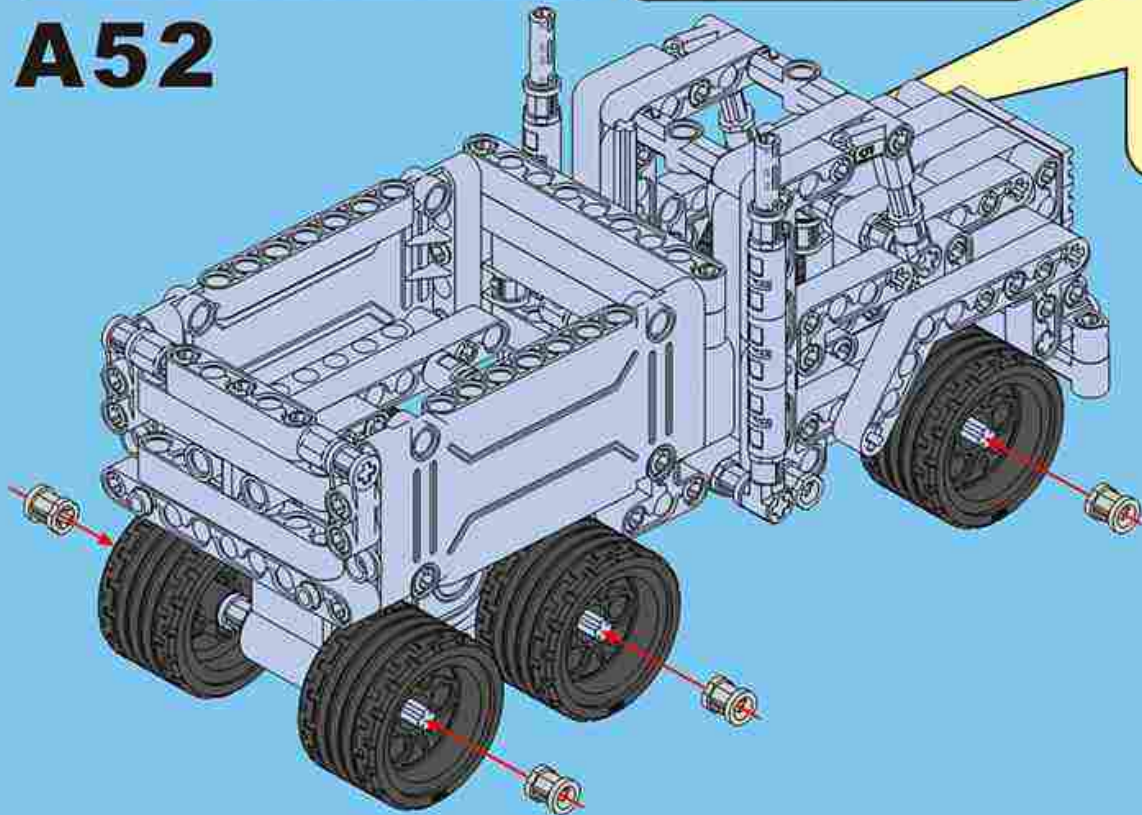
# A51

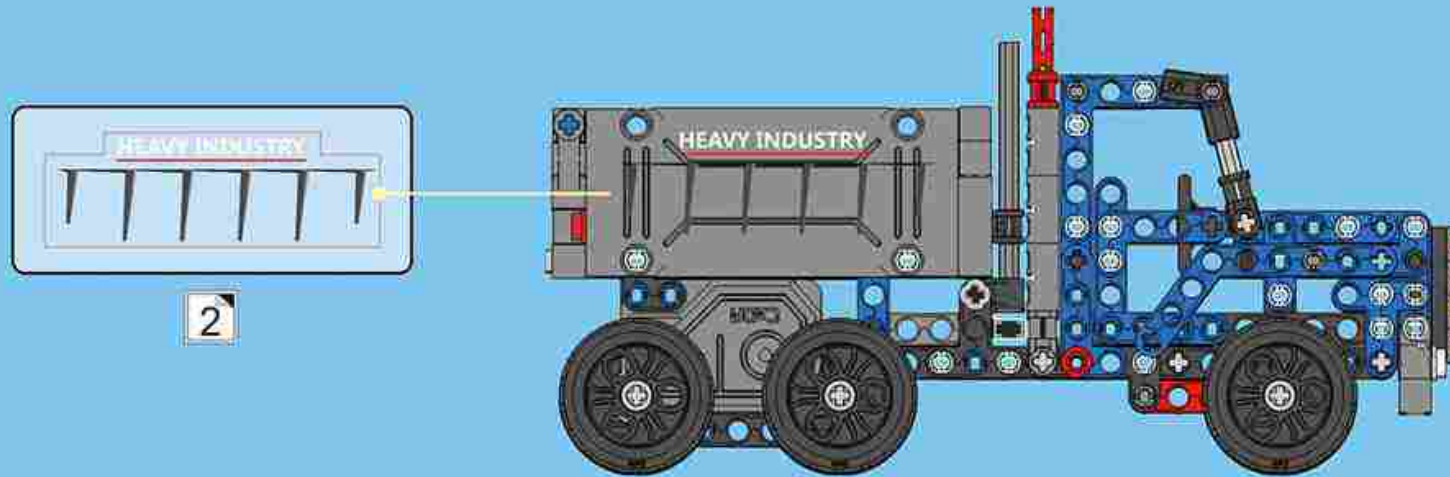
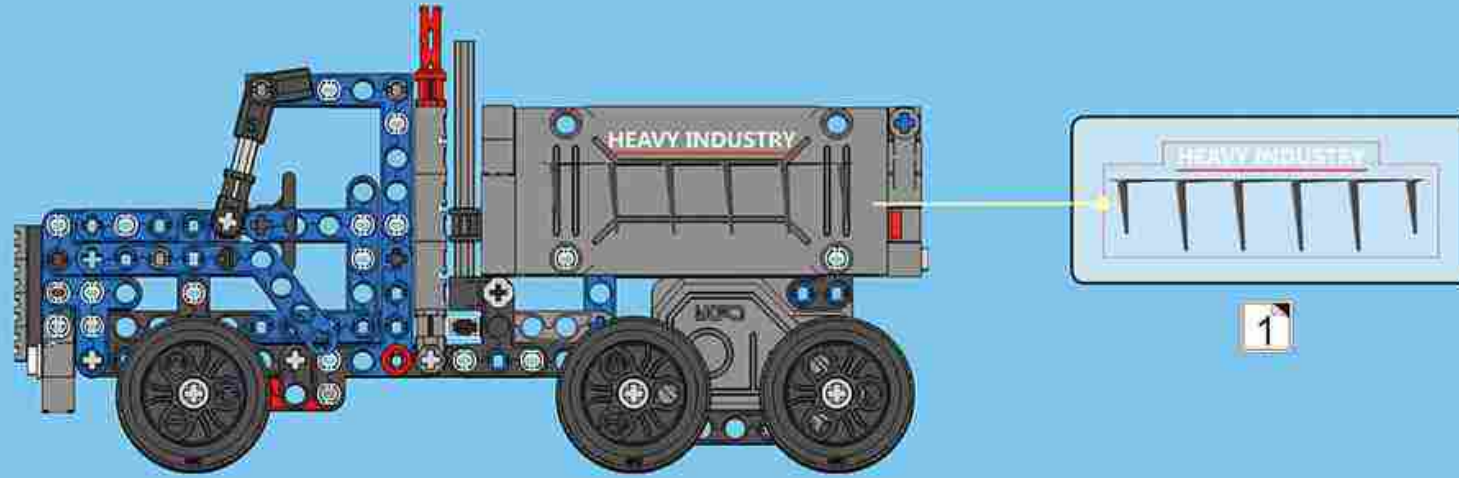




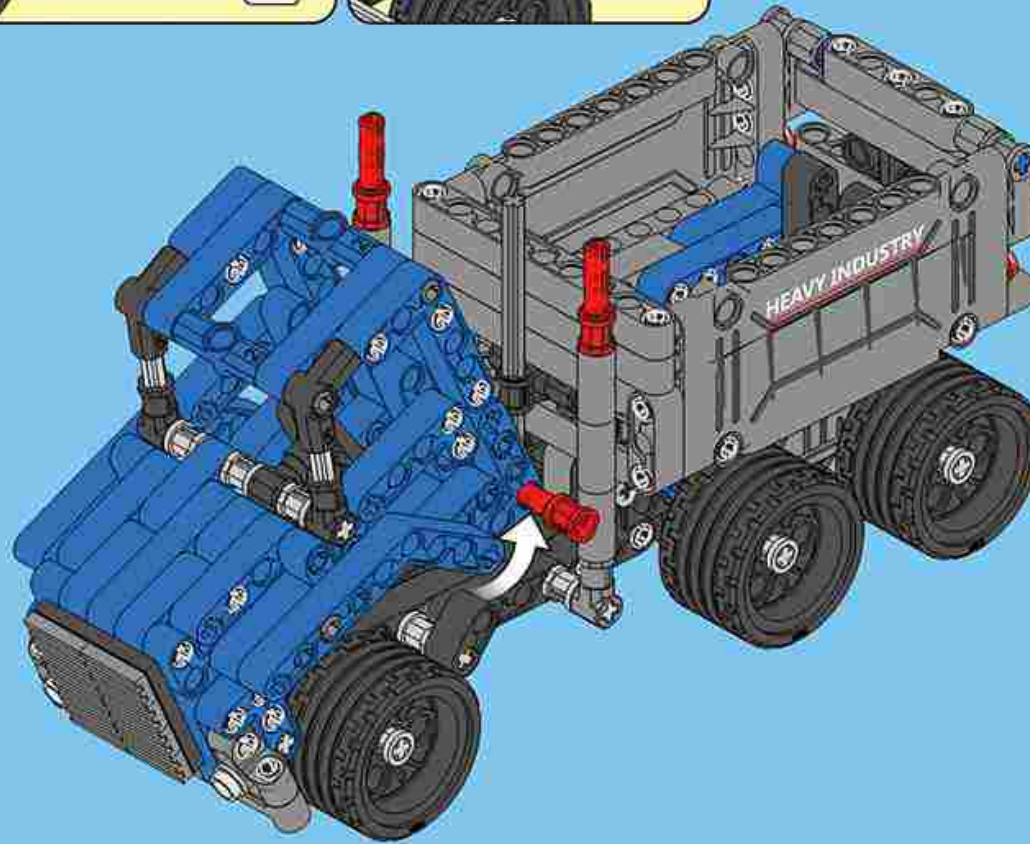
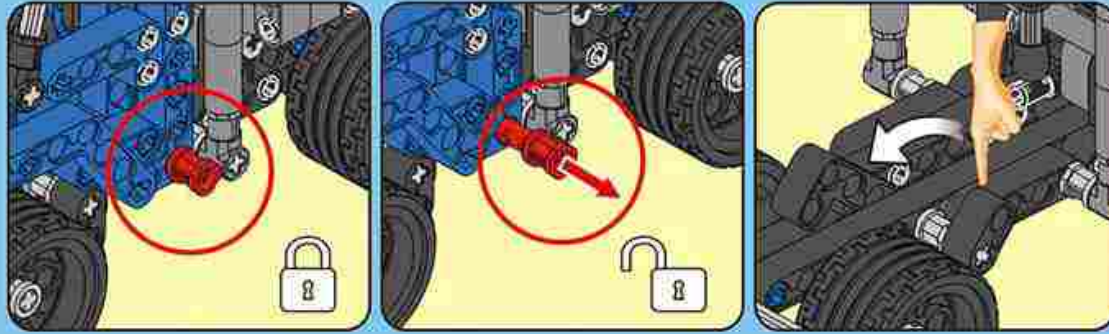


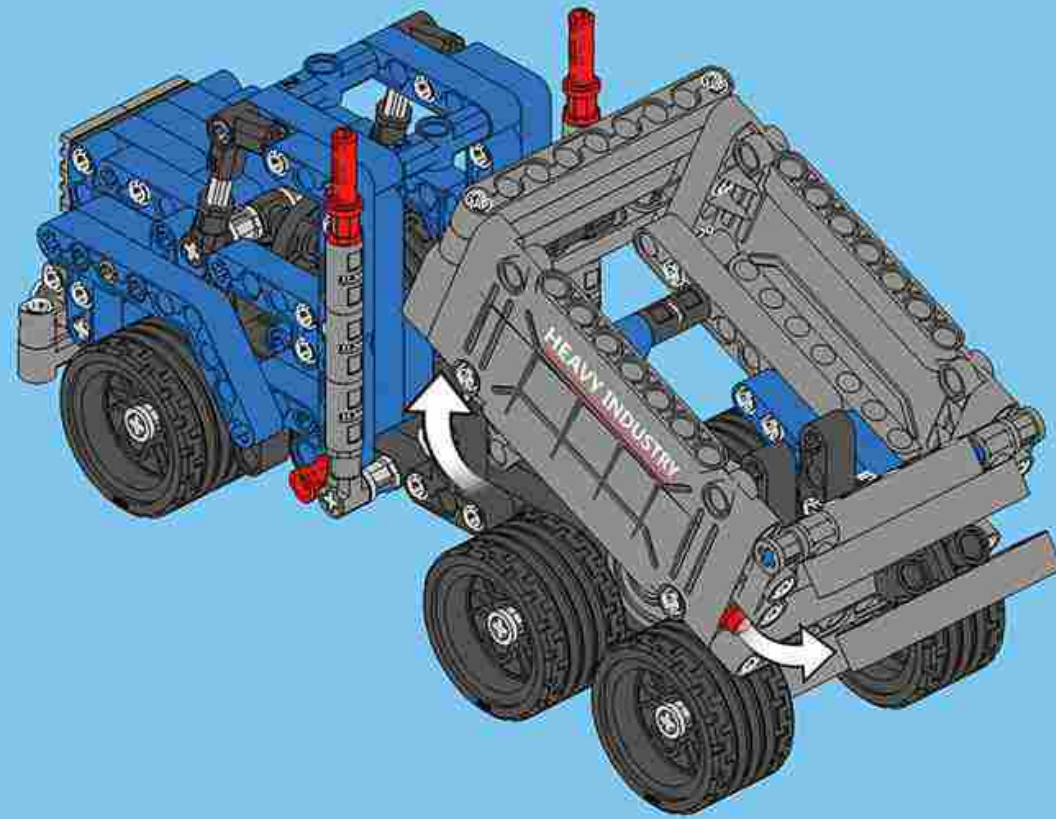
# A52





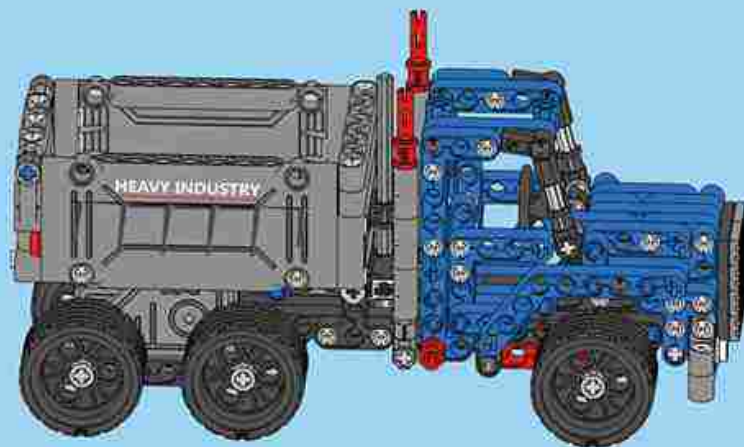




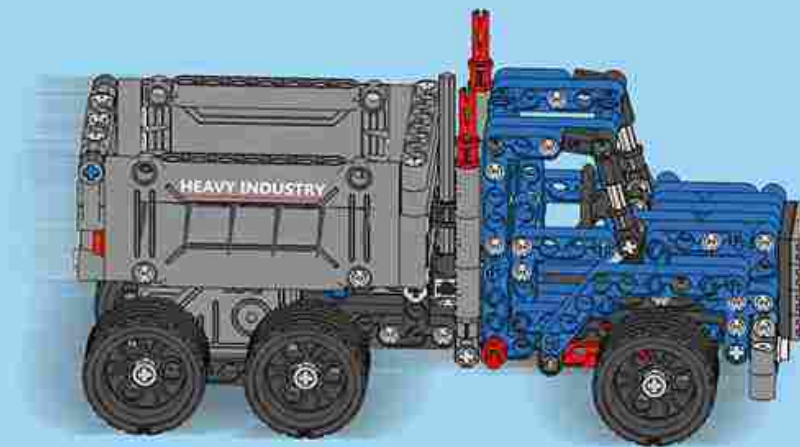




1



2



- x2 JB1001.07
- x2 JB1001.05
- x1 JJ6003.10
- x2 JJ6003.03
- x7 JH5001.01
- x20 JH1017.01
- x2 JH1018.01
- x5 JH2015.01
- x68 JH2025.01
- x2 JH4023.01
- x2 JH4023.04

- x7 JH5044.01
- x34 JH2016.01
- x2 JH5041.01
- x1 JH5032.07
- x2 JH5032.08
- x2 JH5026.06
- x1 JJ6018.04
- x2 JH3021.01
- x2 JH3021.02
- x8 JH3021.07
- x4 JH5020.01

- x8 JX8001.03
- x5 JH6048.03
- x1 JH6033.02
- x1 JH4022.01
- x2 JH4022.07
- x2 JH6029.01
- x2 JH6027.05
- x1 JH6027.06
- x2 JH6039.05
- x1 JA1002.02

- x4 JJ6004.03
- x2 JH6037.06
- x1 JX0041.01
- x1 JH6035.01
- x4 JH0013.01
- x1 JH0004.01
- x1 JH0006.01
- x2 JH0007.01
- x2 JH0008.01

- x4 JH0009.01
- x1 JH0061.01
- x2 JJ7017.05
- x2 JJ7017.01
- x14 JJ7011.03
- x6 JJ7011.02
- x1 JJ7011.06
- x3 JJ7012.02

- x9 JJ7012.03
- x2 JJ7014.02
- x2 JJ6005.03
- x4 JJ6005.04
- x1 JJ6005.06
- x2 JJ6006.03
- x6 JJ6006.06
- x1 JJ6007.01

- x3 JJ6007.06
- x2 JJ6010.03
- x6 JM3007.01
- x6 JR4005.01
- x1 JV5003.01
- x2 JX4038.06